

## DX Eco-touch Deck Ovens 2 to 4 trays wide & 2 to 4 decks high

The DX Modular Deck Ovens are extremely versatile deck ovens. Their modular design makes it ideally suited for installation in bakeries with limited access. Each deck features a heavy sole plate and steam capability, which is ideal for producing a variety of artisan and oven bottom breads.

### OVEN FEATURES

- Available in 2 to 4 wide configurations (see next page for baking area dimensions).
- Can be stacked up to 4 decks high
- Independent controls for top and bottom heating elements to create balance of heat
- Single piece, heavy sole plates for evenly distributed bottom heat for traditional oven-bottom baked bread
- Patented Cumulus Steam Generating System
- All decks have a generous 8" crown
- Each deck separately controlled for complete flexibility and energy conservation
- Stainless steel construction throughout
- Safeguard Protection System ensures oven controls never overheat
- Provides a gentle mellow bake each and every time
- Rapid heat recovery rate
- Simple damper facility for expelling air
- Illuminated bake chamber using halogen bulbs with external access
- Generous, thick slabs of rock wool insulation deliver exceptional heat retention
- Modular components- make it suitable for installation in basements or above-ground-level locations
- 2 year parts/labor warranty

### ECO-TOUCH SCREEN

- Up to 240 bake programs. Settings can be changed while the program is running.
- Menu interface for fast, easy, and mistake free usage. Icons and illustrations are used for menu selection.
- 7-day timer to start oven at selected times, ready for every shift. 4 events can be programmed for each day of the week.
- Help function at top of every screen
- Sleep mode returns each oven to a selected standby temperature to reduce energy consumption up to 66%
- Auto-shutdown to prevent ovens from being left on by mistake
- Prompts such as "Door Open", "Bake Over", etc can be activated as desired. (Standard alert tones and buzzers are also available)
- Baking programs can be uploaded and downloaded via USB. This includes recipes, sounds and tones, logos, icons, images and software.



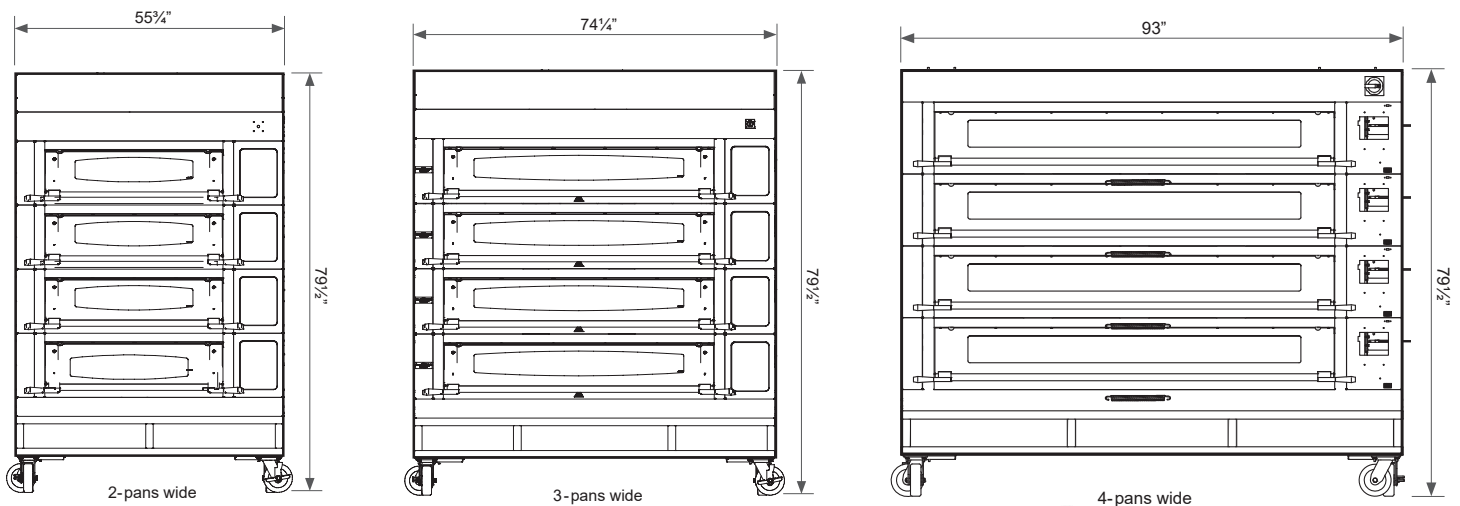
4 Deck High - Deck Oven



4 Pan Wide - Deck Oven

## SPECIFICATIONS & DIMENSIONS

Specifications	2-Pans Wide	3-Pans Wide	4-Pans Wide
Width	55¼"	74¼"	93"
Depth	51¼"	51¼"	51¼"
Height - 1-4 decks (including base and top finishing)	79½"	79½"	79½"
Height - 5 decks (including base and top finishing)	84½"	84½"	84½"
Internal deck height with door open	7½"	7½"	7½"
Internal usable area per deck	8.25ft²	12.5ft²	16.68ft²
Number of pans per deck (18" x 30") portrait	2	3	4
Number of pans per deck (18" x 26") portrait	2	3	4
Number of Programs - Classic Controller	9	9	9
Number of Programs - Eco-Touch Controller	240	240	240
<b>Electrics:</b> Separate supply cords for each deck			
3 Phase 208 Volt	208v, 3 wire plus ground, 60Hz - 5.31 kW, 17amps per deck	208v, 3 wire plus ground, 60Hz - 7.9kW, 22amps per deck	208v, 3 wire plus ground, 60Hz, 10.7kW, 30amps per deck
3 Phase 220 Volt	220v, 3 wire plus ground, 60Hz, 5.93kW, 18amps per deck	208v, 3 wire plus ground, 60Hz, 8.85kW, 24amps per deck	220v, 3 wire plus ground, 60Hz, 12kW, 32amps per deck
3 Phase 480 Volt	480v, 3 wire plus ground, 60Hz, 5.86kW, 8.2amps per deck	208v, 3 wire plus ground, 60Hz, 8.78kW, 12.4amps per deck	240v, 3 wire plus ground, 60Hz, 12kW, 30amps per deck
Canopy fan supply	208-220 Volt, 2 wire plus ground, 60Hz, fused at 6 Amps		



### OPTIONS

- Canopy w/600 cfm fan
- Integrated loader (for 3-tray, 4-deck model)

### CERTIFICATIONS

- Certified to UL-197.



The Eco-Touch Controller

