

Sugaring Table

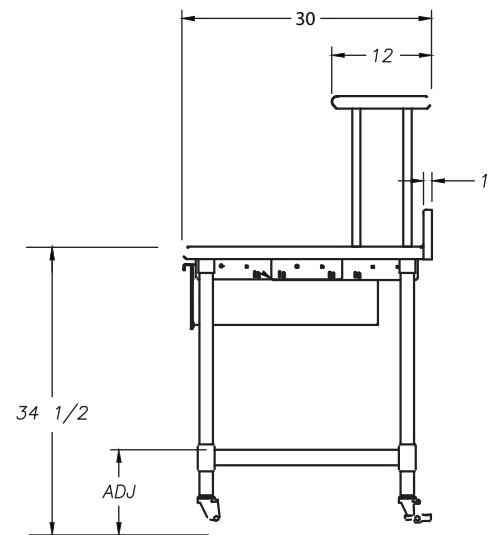
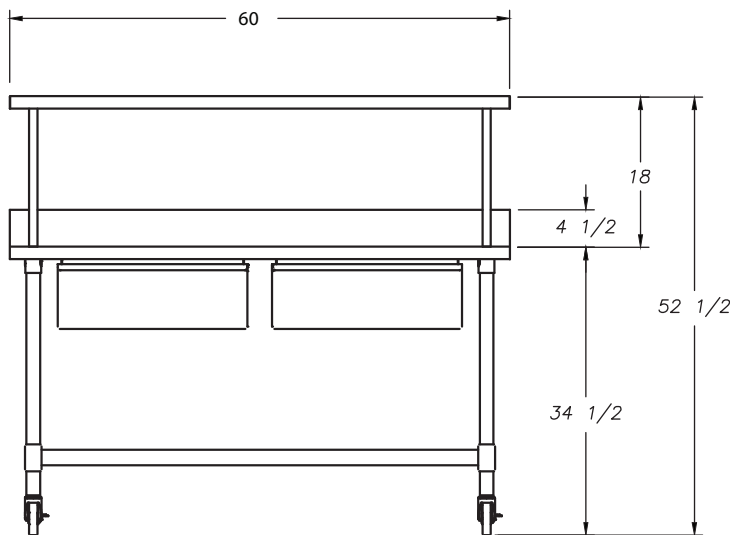
Belshaw's ST2 Sugaring Table is a work stand that includes a work surface, storage shelf, and 2 large bowls for sugars, sprinkles or other dry finishes.

STANDARD FEATURES

- 12.5 sq. ft. (1.16 m²) work surface.
- Full size storage shelf below work surface
- Smaller upper storage shelf
- Two drawers with bowls on all-stainless rollers
- 17-inch stainless steel bowls, 20 quarts each (19 Liters).
- Stainless steel construction throughout.
- Caster wheels, 2 lockable.

CERTIFICATIONS

- Certified to NSF-2



DIMENSIONS

OVERALL DIMENSIONS	inches	60" W x 30" D x 52½" H
	cm	152 W x 76 D x 133 H cm
SHIPPING DIMENSIONS (Approximate, shipped in carton on pallet or crate)	inches	63" x 38" x 48" H
	cm	160 x 97 x 122 cm
	lbs	313 lbs
	kg	142 kg

