

Type K Donut Depositor

Belshaw's Type K Donut Depositor is ideal for forming cake donuts. The Type K is quick and easy to use and provides accurate portion control at a wide range of sizes with a single plunger.

- **Part # 8504022** - Type K Donut Depositor with 1-9/16" plain plunger, for ring donuts
- **Part # 8504023** - Type K Donut Depositor with 1-9/16" star plunger, for ring donuts with a star shaped hole
- **Part # 8504052** - Type K Donut Depositor with 1" plunger, for mini donuts
- **Part # K-1016WSS** - Holder for Type K

STANDARD FEATURES

- Belshaw's Type K Depositors are easily operated with minimal waste, and consistent deposits.
- The Type K provides 6 volume settings located on the handle. Typical weight range is from 1.2 - 1.8 oz (34 - 50g).
- The hopper holds 5.5 lbs of batter (2.5 kg), allowing approximately 58 deposits of 1½ oz (43g). Each hopper is constructed of aluminum to reduce weight. Each plunger and built-in cylinder is constructed of stainless steel to assure durability. The entire unit is corrosion resistant and easy to clean.
- Two plungers are available, a 1-9/16" plunger for standard size donuts and a 1" plunger for mini donuts. In addition the Donut Depositor accepts Belshaw plunger attachments to a plain plunger. These attachments divide the donut deposit into 2, 3 or 4 pieces (as shown on following page)
- The Type K Donut Depositor is certified to NSF-169.

ACCESSORIES

- **Part # K-1016WSS:** Type K Stand. The stainless steel Type K Stand is simple, easy to keep clean, and helps keep your depositor safe from damage.
- **Dunkette, Nugget or Ball attachments:** attachments that slide onto a plain or star plunger, to make smaller donuts. (See following page)



Type K Donut Depositor with Holder



Part # K-1016WSS - Holder for Type K

CONSTRUCTION

- Aluminum hopper
- Stainless steel plunger and cylinder

CAPACITY AND DEPOSIT WEIGHTS

- Hopper capacity: up to 5.5 lbs (2.5 kg) batter weight
- Deposits per hopper when full: approx 58 x 1½ oz (43g) deposits
- 6 weight settings on handle
- Weight range approximately 1/2 - 1.8 oz (34 - 50g) per deposit

WEIGHT AND DIMENSIONS

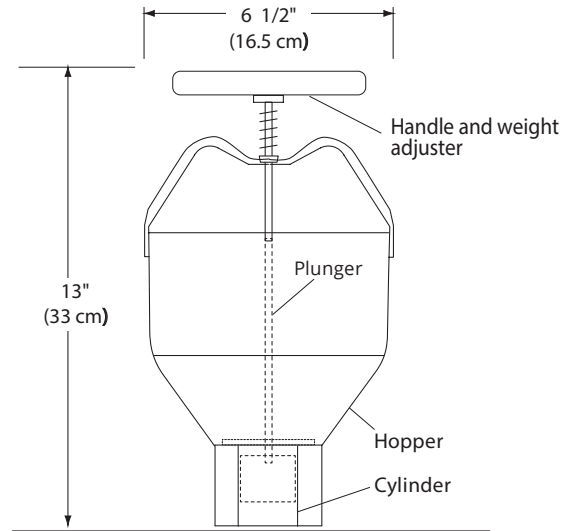
- Overall height: 13" (33 cm)
- Hopper diameter: 6½" (16.5 cm)

SHIPPING DATA

- Carton width: 7½"
- Carton depth: 7½"
- Carton height: 14½"
- Carton weight: 3 lbs

CERTIFICATION

- Certified to NSF-169



APPROXIMATE RING DONUT WEIGHTS

Plunger Size		Product Weight (per dozen, after frying)	
in	mm	min	max
1"	25.4mm	5oz. (142g)	6oz. (170g)
1-9/16"	39.7mm	17oz. (482g)	26oz. (737g)

TYPE K DONUT DEPOSITOR - SELECTION GUIDE

Part Number	Plunger / Attachment	Plunger	Donut type
Type K 1-9/16" Plunger Diameter K-1011A	PLAIN RING For standard Ring donuts. Also makes "Old Fashion" donuts using Old Fashion donut mix.		
Type K 1" Mini Donut Plunger Diameter K-1042			
TYPE K 1-9/16" Plunger Diameter K-1011S	STAR RING For Ring donuts with a star pattern around the center hole.		
AVAILABLE ACCESSORIES			
Type K DR42-1018x1.563	DUNKERETTE ATTACHMENT Attaches to a Plain Plunger. Forms 2 half-donuts as shown.		
Type K DR42-1016x1.563	NUGGET ATTACHMENT Attaches to a Plain Plunger. Produces 3 separate or joined balls, depending on the height of the hopper and the type of mix.		
Type K DR42-1017x1.563	BALL ATTACHMENT Attaches to a Plain Plunger. Produces 4 separate balls, or joined balls, depending on the height of the hopper and the type of mix.		
Type K K-1016WSS	TYPE K STAND		

Other sizes may be special ordered