

## Type F Cake Donut Depositor

Designed for quality cake donuts. Also makes excellent hushpuppies, loukoumades, falafel, ball-shaped fritters, and more, depending on the mix, recipe used, and plunger/cylinder selection.

### DESCRIPTION

- Belshaw depositors, the industry standard for many years, are legendary for their precision and smooth operation - even after many years of use.
- An adjustment dial allows you to adjust the amount of batter for each deposit. The Type F Depositor utilizes a motor and trigger handle to deposit at a rate up to 115 per minute. A half-speed version of the Type F, which deposits up to 57 times per minute, is also available for products such as stick donuts which require a slower deposit speed and for use with a Mark VI Donut Robot.

### MOUNTING SYSTEM OPTIONS

- Type B/F Column Mount (Part #0405)
- Wall Mount (Part #0406)
- Bracket Arm Height Adjuster (Part #0400) for faster more precise height adjustments (A set collar is provided as standard equipment, column mount only).

### ACCESSORIES

- B/F Hopper Divider - for Dual Flavor Cake Donuts. Simple, effective accessory for making 2-color/2-flavor cake donuts (Part # 0290-1000). Divides hopper into two and accepts two separate mixes.

### STANDARD FEATURES

- Aluminum alloy frame
- Hardened steel cams
- Bronze trip arms and bushings
- Aluminum hopper (Capacity 15 lbs/6.8 kg)
- Heavy duty motor - Totally enclosed, fan-cooled, with thermally protected circuit breaker
- Hand trigger control up to 115 cycles/minute
- Deposit weight adjustment dial
- Compatible with Belshaw Type B/Type F plungers and cylinders.
- Half-speed option, deposits a maximum rate of 57 deposits/minute instead of 115/minutes. (sometimes referred to as "Single Lead")

### PLUNGERS AND CYLINDERS

- Plungers are available for rings, sticks, old fashions, crullers, krinkles and more.
- Plungers and cylinders are purchased separately. See Belshaw's 'Plunger Guide for Cake Donuts' or [www.belshaw.com/products/category/plungers-and-accessories](http://www.belshaw.com/products/category/plungers-and-accessories).

## Specifications

### SHIPPING DIMENSIONS

- Depositor (w/bracket arms):  
19" x 21" x 26", 75 lbs (48 x 53 x 66 cm, 34 kg)
- Column mount:  
49" x 2" x 2", 14 lbs (36 x 5 x 5 cm, 7 kg)

### ELECTRICAL

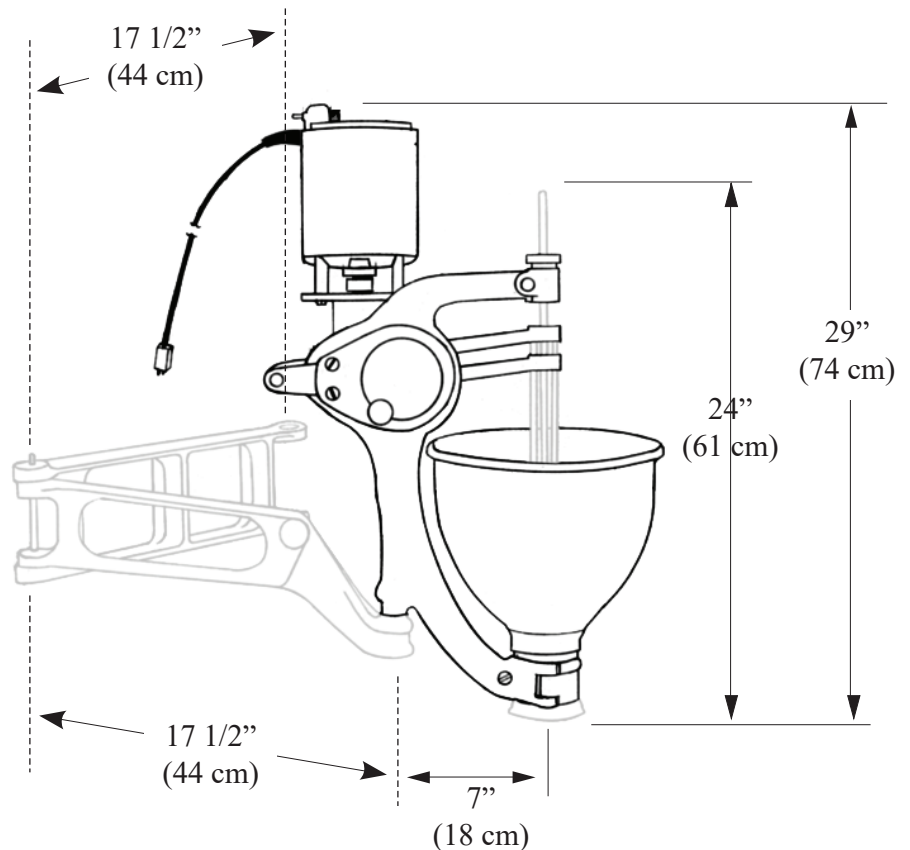
- 110-120 Volts, 50/60 Hertz, 1-phase, 200W, 2 amps
- 208-240 Volts, 50/60 Hertz, 1-phase, 200W, 1.5-2 Amps

### CERTIFICATIONS

- Certified to UL-763, NSF-169, CSA C22.2
- CE models available



Type F Cake Donut Depositor  
\* Diagram includes plunger, cylinder and mounting bracket purchased separately



### ACCESSORIES

Item Number	Description
0405	B&F COLUMN MOUNTING KIT - Column mount bracket kit for Type B or Type F
0406	WALL MT BRKT KIT - Wall mount bracket kit, Type B or Type F
0400	HEIGHT ADJ KIT - Bracket Arm Height Adjuster. Enables quick accurate adjustment to height of depositor. (For column mount only)
0290	HOPPER ASSY LG BORE - Hopper for Type B or Type F
0290-1000	HOPPER DIVIDER - Divides hopper into two and accepts two separate mixes.

Plungers and cylinders are available separately. See Belshaw's "Plunger Guide for Cake Donuts" or [www.belshaw.com/products/category/plungers-and-accessories](http://www.belshaw.com/products/category/plungers-and-accessories)

Each plunger must match a cylinder of the same size. Different plungers may be used with just one cylinder, provided all are the same size. For instance, a 1-3/4" plunger can only be used with a 1-3/4" cylinder.