

Bowl Icers

Belshaw's H & I Bowl Icers are designed and constructed for convenience, durability and reliability. The H & I method provides gentle, uniformly applied heat to the bottom portion of each icing bowl from a large tank full of warmed water.

STANDARD FEATURES

- Stainless steel construction
- 13" (33cm) diameter stainless steel bowls with aluminum lids
- Each bowl holds approximately 7 lbs (equivalent to 8 quarts) of icing (3.2 kg, 5.68 liter)
- H&I-2: water capacity approximately 15 Gallons (57 Liters)
- H&I-4: water capacity approximately 28.5 Gallons (108 Liters)
- Water heat controlled by thermostat (maximum temperature approximately 130°F (55°C))
- 4 heavy duty casters, (2 lockable)
- Drain and valve for emptying water

ACCESSORIES

- Extra bowls and lids are available to enable quick change of icing flavors.
- Part # 966-0010.A: 13 inch icing bowl, 8 qt capacity
- Part # 966-0011: Lid for icing bowl (12 inch for 8 qt bowl)



H&I-2 Bowl Icer

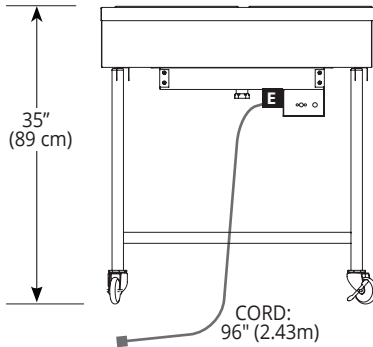


H&I-4 Bowl Icer

FRONT VIEW

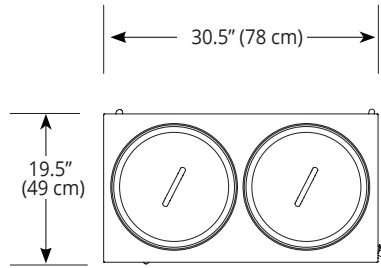
H&I-2 and H&I-4

E = POWER CONNECTION



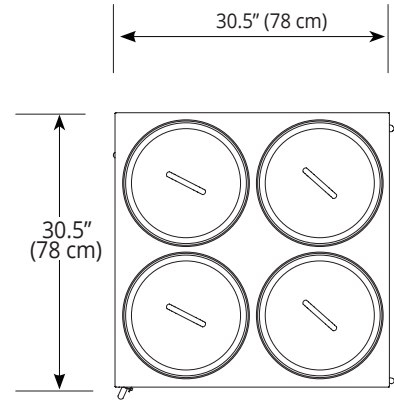
TOP VIEW

H&I-2
Two Bowls



TOP VIEW

H&I-4
Four Bowls



ELECTRICAL DATA

Specify voltage at time of order. Data applies to both H&I-2 and H&I-4

| | | |
|--------------------|-----------|-------------------|
| 120V, 50/60hz, 1ph | amps | 15 A |
| | kilowatts | 1.8 KW |
| 240V, 50/60hz, 1ph | amps | 7.5 A |
| | kilowatts | 1.8 KW |
| PLUG | 120V | NEMA 5-15P |
| | 240V | NEMA 6-15P |
| CORD | length | 96 inches (2.5 m) |

SHIPPING DIMENSIONS

(Approximate, shipped in carton or on pallet)

| | | H&I-2 | H&I-4 |
|---|--------|-----------------|-----------------|
| SHIPPING DIMENSIONS <i>(Approximate, shipped in carton on pallet or crate)</i> | inches | 31" x 20" x 37" | 31" x 31" x 37" |
| | cm | 79 x 51 x 94 cm | 79 x 79 x 94 cm |
| | lbs | 80 lbs | 91 lbs |
| | kg | 37 kg | 42 kg |

CERTIFICATIONS

- Certified to UL-197, NSF-4
- CE models available

