

## Type B Cake Donut Depositor

Designed for quality cake donuts. Also makes excellent hushpuppies, loukoumades, falafel, ball-shaped fritters, and more, depending on the mix, recipe used, and plunger/cylinder selection.

### DESCRIPTION

- Belshaw depositors, the industry standard for many years, are legendary for their precision and smooth operation - even after many years of use.
- An adjustment dial allows you to adjust the amount of batter for each deposit.
- The Type B Depositor utilizes a hand crank to deposit at a rate up to 80 per minute.

### STANDARD FEATURES

- Aluminum alloy frame
- Hardened steel cams
- Bronze trip arms and bushings
- Aluminum hopper (Capacity 15 lbs/6.8 kg)
- Deposit weight adjustment dial
- Compatible with Belshaw Type B/Type F plungers and cylinders.
- Can be ordered as frame only (no hopper, Part #0226CHS) or hopper only (Part # 0290)

### ACCESSORIES

- B/F Hopper Divider - for Dual Flavor Cake Donuts. Simple, effective accessory for making 2-color/2-flavor cake donuts (Part # 0290-1000). Divides hopper into two and accepts two separate mixes.

### MOUNTING SYSTEM OPTIONS

- Type B/F Column Mount (Part #0405)
- Wall Mount (Part #0406)
- Bracket Arm Height Adjuster (Part #0400) for faster more precise height adjustments (A set collar is provided as standard equipment for column mount only).

### PLUNGERS AND CYLINDERS

- Plungers are available for rings, sticks, old fashions, crullers, krinkles and more.
- For motorized version. See Type F Cake Donut Depositor.
- Plungers and cylinders are purchased separately. See Belshaw's 'Plunger Guide for Cake Donuts' or [www.belshaw.com/products/category/plungers-and-accessories](http://www.belshaw.com/products/category/plungers-and-accessories).

## Specifications

### SHIPPING DIMENSIONS

- Depositor (w/bracket arms):  
19" x 21" x 26", 47 lbs (48 x 53 x 66 cm, 22 kg)
- Column mount:  
49" x 2" x 2", 14 lbs (36 x 5 x 5 cm, 7 kg)

### ELECTRICAL

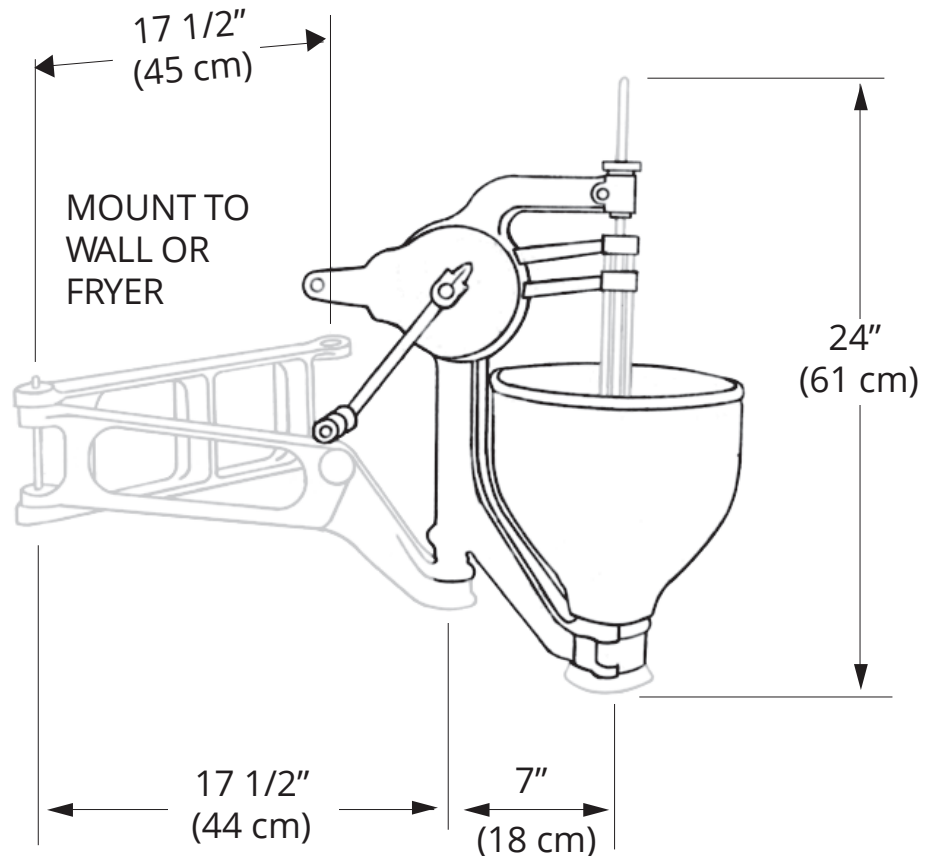
- No electrical power required

### CERTIFICATIONS

- Certified to NSF-169



Type B Cake Donut Depositor  
 \* Diagram includes plunger, cylinder and mounting bracket purchased separately



### MODEL SELECTION

Item Number	Description Key	Options
B0001000	B-LB-W/O Plunger/Cylinder	Standard Type B depositor frame and hopper (plunger/cylinder mount not included)

### ACCESSORIES

Item Number	Description
0405	B&F COLUMN MOUNTING KIT - Column mount bracket kit for Type B or Type F to attach to Belshaw Fryer
0406	WALL MT BRKT KIT - Wall mount bracket kit, Type B or Type F
0400	HEIGHT ADJ KIT - Bracket Arm Height Adjuster. Enables quick accurate adjustment to height of depositor. (For column mount only)
0290	HOPPER B&F - For Type B or Type F
0290-1000	HOPPER DIVIDER - Divides hopper into two and accepts two separate mixes.

Plungers and cylinders are available separately. See Belshaw's "Plunger Guide for Cake Donuts" or [www.belshaw.com/products/category/plungers-and-accessories](http://www.belshaw.com/products/category/plungers-and-accessories)

Each plunger must match a cylinder of the same size. Different plungers may be used with just one cylinder, provided all are the same size. For instance, a 1-3/4" plunger can only be used with a 1-3/4" cylinder.