



**HOW BELSHAW'S DONUT HISTORY TOOK SHAPE**



Belshaw's accomplishments are sprinkled throughout the last 100 years of donut history. Today, with equipment sold in 120 countries, Belshaw's contributions come full circle, to inspire a new generation of donut entrepreneurs, snackers, and sweet lovers. Like the donut which became an icon and dessert staple of American culture, Belshaw has made a name for its brand in the world of baking.

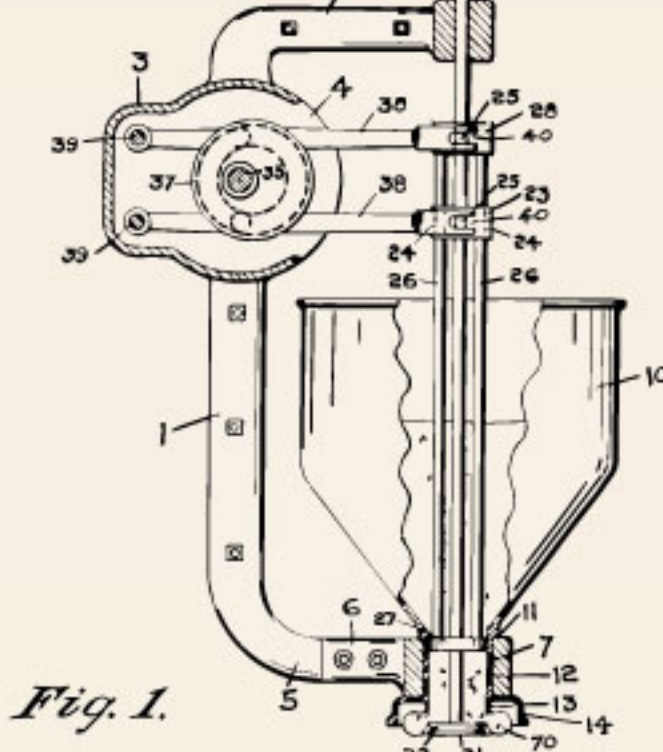


**THE HOLE BELSHAW STORY FROM SCRATCH**



**(1914-1918) During WWI:**

Salvation Army women fry donuts in garbage cans and stack them in bayonets, to serve to soldiers.



**1923:** Belshaw Brothers is incorporated and begins manufacturing the Type "A" Sanitary Donut Machine.



**1940s:** The enduring stereotype of the police officer with donuts emerges due to donut shops being the only places open during their graveyard shifts.



**(Post-1945) After WWII:**

Belshaw develops the Type "K" cutter as well as open-kettle donut fryers.



**Late 1950s:** The Fast Food industry develops, and both the Donut Robot® and Century Automatic Fryers are first created.



**1962:** The World's Fair in Seattle inspires Belshaw to develop the first small Donut Robot® (DR-42). These kiosks successfully sell a donut and cup of coffee for 19 cents.

**1970s:** Belshaw begins manufacturing large scale donut equipment for wholesalers in the U.S. and Canada.



**1990s:** Belshaw MS20 depositor is used by Hostess Brands to make billions of packaged mini donuts.



**2000s:** Belshaw continues serving national customers like Dunkin' Donuts, Walmart, Krispy Kreme, and more.



**2007:** Ali S.p.A. Group, a privately held Company based in Milan, Italy purchases BABG.



**2023:** Belshaw continues to sell equipment in more than 120 countries, including the U.S., Mexico, England, Australia, Germany, Japan and more.



**1922:** Thomas and Walter Belshaw begin making donut machines in Seattle, Washington.



**1930:** The National Dunking Association is created to popularize donuts.



**1938:** National Donut Day (June 7) is established.

**(1939-1945) During WWII:**

Belshaw manufactures steam valves for the U.S. Navy in addition to donut cutters.



**1956:** Belshaw develops its first MultiMatic Cutter Head for cutting multiple donuts simultaneously and adds the first major addition to the original plant.

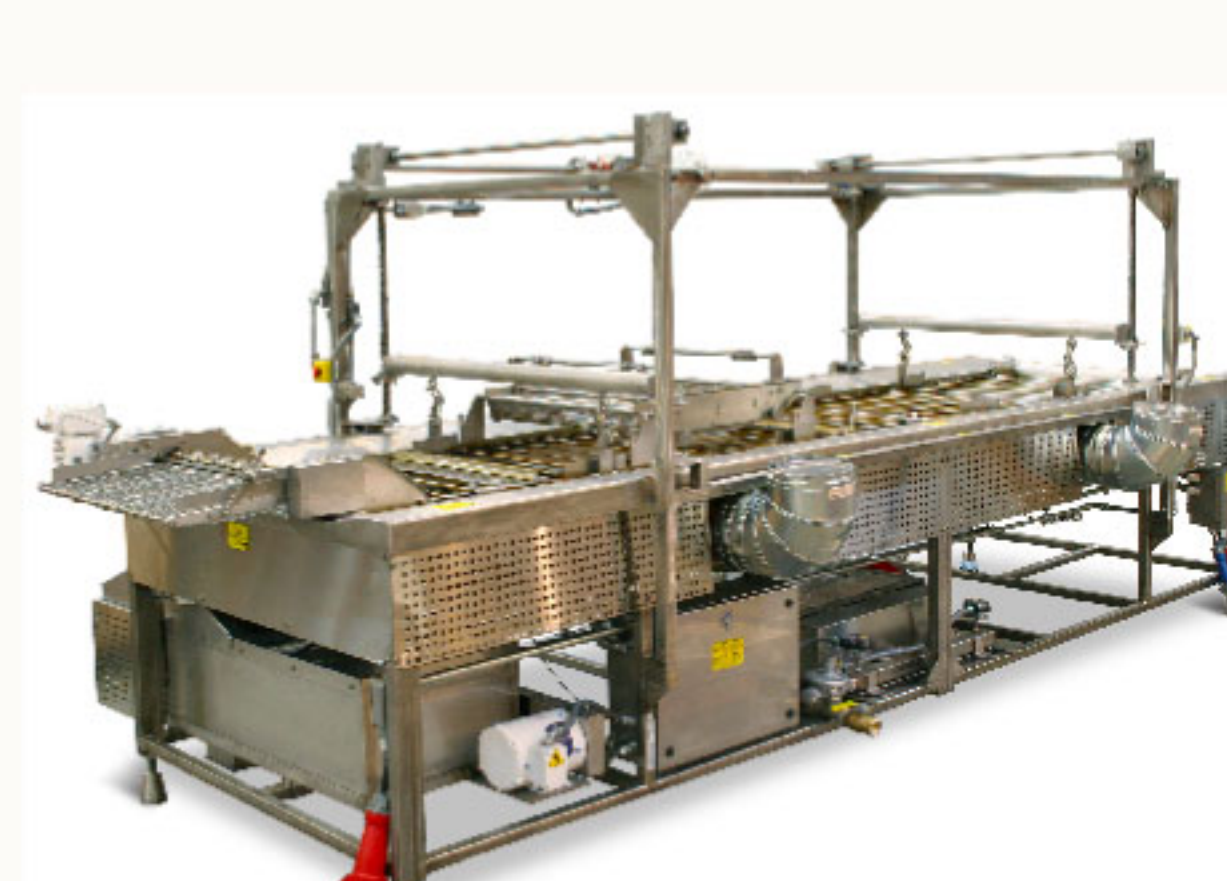
**Early 1960s:** Belshaw is handed down to Tom's son, Thomas E. Belshaw. Thomas and Walter Belshaw buy the Gem Donut Company of Waterloo, Iowa, prior to their retirement.



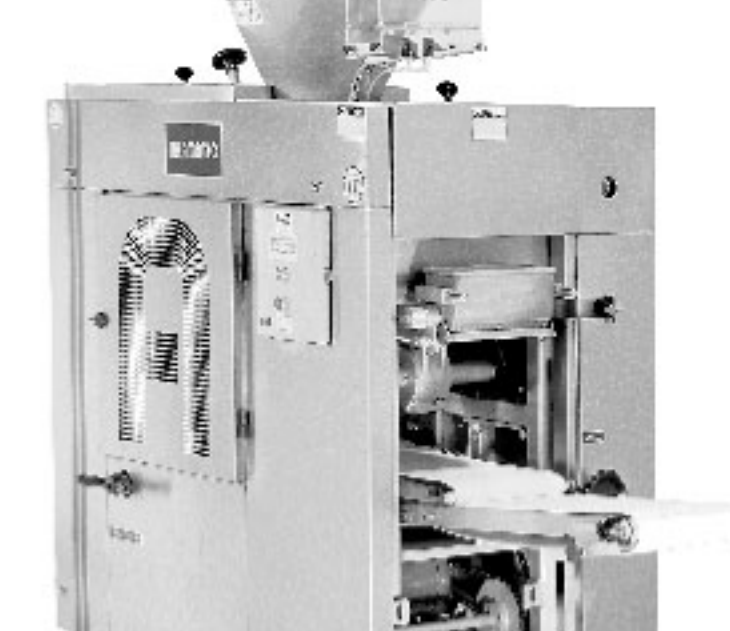
**1963-1966:** Sales of the DR-42 to supermarkets and other outlets results in Belshaw doubling sales. Employment rises to 40 employees.



**Late 1980s:** Belshaw begins producing industrial equipment.



**1998:** Belshaw ships a 32-foot donut fryer—the world's largest at the time—to Best Foods (Entenmann's) in Bayshore, New York.



**2006:** Belshaw and Adamatic—best known for the Kaiser roll stamper—merge to form the Belshaw Adamatic Bakery Group.



**2007:** Belshaw moves to its current location in Auburn, Washington, just south of its original plant in Seattle.

**TODAY**

The Belshaw experts are committed to equipping donut brands—both small and large—with innovative solutions for today, tomorrow, and beyond.



**BITE INTO THE DONUT MARKET'S SWEET GAINS, WITH HIGH-QUALITY EQUIPMENT AND STELLAR SUPPORT FROM BELSHAW**