



Belshaw[®]

OPERATOR'S MANUAL & TECHNICAL SUPPLEMENT



Donut Robot[®]

Mark II / Mark II GP

Item Nbrs 21622, 21637 and 21638 only

208-240 Volts, 60 Hertz, 1 Phase

Automated Donut Fryer



This manual should only be used with the Item Numbers shown above.

AT YOUR SERVICE! 800.578.2547 (USA/Canada) • (+1) 206.322.5474 (Worldwide) • service@belshaw.com



Donut Robot®

Mark II & Mark II GP

Operator's Manual

Belshaw Adamatic Bakery Group
814 44th Street Northwest, Suite 103
Auburn, WA 98001 USA

Phone: (206) 322-5474 • Fax: (206) 322-5425

E-mail: service@belshaw.com • <http://www.belshaw-adamatic.com>

If you accept the machine from the shipping company, you are, in effect, saying that the machine is in good condition, and you must pay for the machine. The freight company has accepted the responsibility for the safe delivery of our machines. **For your protection**, inspect the machine to see that no parts are bent, scratched, or otherwise damaged. If any damage has occurred in shipping, file a freight claim with the shipping company immediately.

EQUIPMENT RECORD

Please provide the information below when you correspond with us about your machine.

Purchased by _____

Installed by _____

Date of Installation _____

Model number _____

Serial number _____

092308

MN-1012EN

Belshaw Adamatic Bakery Group

814 44th Street Northwest, Suite 103

Auburn, WA 98001 USA

Phone: (206) 322-5474 • Fax: (206) 322-5425

E-mail: service@belshaw.com • <http://www.belshaw-adamatic.com>

Contents

<u>1</u>	<i>Operation</i>	<i>1</i>
	Making Cake Donuts	1
	Making Yeast-Raised Donuts	3
<u>2</u>	<i>Cleaning</i>	<i>5</i>
	Cleaning the Hopper and the Plunger	5
	Cleaning the Conveyor and the Kettle	6
<u>3</u>	<i>Maintenance</i>	<i>11</i>
	Taking Care of the Plunger, Hopper, and Cylinder	11
	Lubricating	11
<u>4</u>	<i>Related Products</i>	<i>12</i>
	FT-42 Feed Table	12
	Roto Cooler	15
	Filter Flo Siphon	16
	Shortening Reserve Tank	19
<u>5</u>	<i>Donut-Making Helps</i>	<i>20</i>
	Tips on Making Quality Cake Donuts	20
	Calculating Correct Water Temperature	21
	Ratios of Plunger Sizes to Donut Weights	21
	Temperature Conversion	21

Preface

The Donut Robot Mark II is designed to automatically cut and fry cake donut products, and to fry yeast-raised donut products. It is not designed to cut or fry any other products.

The Mark II is designed to be used on a flat, stationary table or countertop, with the operator standing opposite the heater head of the machine. The operator must work safely at all times and read this manual and follow its instructions and warnings.

The Mark II produces only 71.5 dB(A) of equivalent A-weighted sound pressure at workstations. This has been determined during a dry run of the machine, using a Bruel & Kjaer sound level meter, type 2236.

Study the instructions and warnings in this manual carefully. A thorough understanding of how to install, maintain, and safely operate the Donut Robot Mark II will prevent production delays and injuries.

To use the Mark II safely, heed the following warnings and all other warnings that appear in this manual:

- Make sure the machine is secured to the work surface. Doing so will prevent the machine from moving or falling, which could cause serious injury.
- Never let water and hot shortening come in contact. Moisture causes hot shortening to spatter, which may cause serious burns.
- Do not overfill the kettle with shortening. If shortening overflows the kettle, it could cause serious burns or could cause someone to slip on the floor and be seriously injured.
- Hot shortening can cause serious burns. Make sure that the system and the shortening are cool before attempting any adjustment, repair, disassembly, or cleaning.
- To avoid electrocution or other injury, unplug the machine before attempting any adjustment, repair, disassembly, or cleaning.
- To avoid damaging the machine, never use force to assemble, disassemble, operate, clean, or maintain it.
- Be careful never to get shortening, water, or other materials on the floor. If anything does get spilled on the floor, clean the area immediately. Materials on the floor can cause people to slip or fall, resulting in serious injury or loss of life.
- To prevent unintentional startup and possible fire, unplug the machine if there is a local power outage. When the power is restored, it is safe to plug the machine in again.
- To avoid electrocution, make sure that all electrical cords are not frayed or cracked and that they do not pass through any water or shortening.
- Make sure that all electrical cords are routed so that no one will trip over them.

Read each step **completely** before doing what it tells you to do.

Making Cake Donuts

1. If necessary, install the swing column, connect the swing connecting rod, install the cutter head, and install the hopper and the plunger.
2. When the shortening reaches the correct frying temperature, it should reach the top of the flight bars.

Shortening expands as it increases in temperature. This means that unless the shortening is at frying temperature when you put it in the kettle, you should put it in gradually. Let the shortening in the kettle heat up before you add more.

Put shortening in the kettle using one of these methods:

- Pre-melt shortening in a pan on the stove and carefully pour it into the kettle.
- Use the optional EZ Melt to melt shortening and transfer it to the kettle. See your EZ Melt manual.

WARNING

Hot shortening causes severe burns.

- Put solid shortening into the kettle, packing it tightly around the elements and bulbs.

WARNING

Air spaces can cause the shortening to overheat and catch on fire.

3. Turn the heating element on by turning the thermostat knob above 200°F/93°C. Two pilot lights will come on. The one on top of the heater head indicates that the heating element has been turned on (that the thermostat is set above 200°F/93°C). The one on the front of the heater head indicates that the shortening has not yet reached the desired temperature. This light will go out if the high temperature limit control breaks the circuit.

Note: If the high temperature limit control does break the circuit, push the red reset button on the back of the heater head.

4. Wait for the shortening to reach the desired temperature. When it does, the pilot light on the front of the heater head will go out. **DO NOT** run the conveyor until all the shortening has melted.
5. If you are using the optional Shortening Reserve Tank, fill it with shortening. Then position it on the conveyor side panels either ahead of or behind the turner, but not above it. The heat of the fryer will melt the shortening in the tank.
6. Disengage the swing connecting rod from the swing column throw arm and swing the hopper away from over the fryer.

7. Adjust the size selector dial on the cutter head's crankshaft assembly. This dial regulates the donut weight. The higher the setting, the larger the donuts will be. Adjust the dial setting as follows:
 - a. Unscrew the dial lock nut 1/2 turn.
 - b. Turn the dial to the desired position, as indicated by the marks on the crank plate.
 - c. Tighten the dial in place with the lock nut. Tighten it using your fingers only.
8. Put dough into the hopper. Prime the hopper to expel any air that may be trapped in the bottom of it. To prime the hopper:
 - a. Hold a mixing bowl under the cutter.
 - b. Hold down the prime switch on the cutter head and run the cutter until it has dropped two or three donuts into the bowl.

Note: Holding down the prime switch causes the cutter to run continuously without the normal delay between cuts.
 - c. Put the dough in the bowl back in the hopper.
9. Return the hopper into position over the fryer and reconnect the swing connecting rod to the swing column throw arm.
10. Choose the appropriate fry time for your product using the fry time control knob on the heater head.
11. Using the switch on the heater head, select the number of donuts—one or two—you want to cut during each swing cycle of the hopper.
12. Turn on the cutter using the power switch on the cutter head.

13. Turn on the conveyor drive using the power switch on the heater head.

Note: If the conveyor becomes jammed, a warning buzzer will sound about a minute later and stop when the conveyor is turned off. The conveyor drive is impedance-protected so it will not burn out due to jamming.

WARNING

If the conveyor becomes jammed:

- 1. Turn off the conveyor drive and the heater.**
- 2. Allow the system to cool down.**
- HOT SHORTENING IS DANGEROUS.**
- 3. Determine the cause of the jamming.**
- 4. Clear it.**
- 5. Restart the system.**

14. Continue adding shortening to the kettle to maintain the proper shortening level (see step 2). There are three ways to do this:
 - Melt some shortening in a pan on the stove and carefully pour it into the kettle.
 - If you are using the optional EZ Melt, transfer more shortening from it. See your EZ Melt manual.
 - If you are using the optional Shortening Reserve Tank, push open the supply valve.
15. Continue adding dough to the hopper as needed. You can add dough to the hopper without priming it again as long as it does not become empty. If the hopper does become empty, you must prime it again.

- When you fill the hopper for the last time, you will want to use all of the dough in the hopper. To do so, push the dough to the bottom of the hopper using a rubber scraper or spatula. Be careful not to jam the scraper in the donut cutter.

WARNING

To avoid injury, never put your hand in or under the hopper while the machine is on.

Making Yeast-Raised Donuts

- Remove the hopper and plunger, the cutter head, and the swing column, if they are installed.
- When the shortening reaches the correct frying temperature, it should reach the top of the flight bars.

Shortening expands as it increases in temperature. This means that unless the shortening is at frying temperature when you put it in the kettle, you should put it in gradually. Let the shortening in the kettle heat up before you add more.

Put shortening in the kettle using one of these methods:

- Pre-melt shortening in a pan on the stove and carefully pour it into the kettle.
- Use the optional EZ Melt to melt shortening and transfer it to the kettle. See your EZ Melt manual.

WARNING

Hot shortening causes severe burns.

- Put solid shortening into the kettle, packing it tightly around the elements and bulbs.

WARNING

Air spaces can cause the shortening to overheat and catch on fire.

- Turn the heating element on by turning the thermostat knob above 200°F/93°C. Two pilot lights will come on. The one on top of the heater head indicates that the heating element has been turned on (that the thermostat is set above 200°F/93°C). The one on the front of the heater head indicates that the shortening has not yet reached the desired temperature. This light will go out if the high temperature limit control breaks the circuit.

Note: If the high temperature limit control does break the circuit, push the red reset button on the back of the heater head.

- Wait for the shortening to reach the desired temperature. When it does, the pilot light on the front of the heater head will go out. **DO NOT** run the conveyor until all the shortening has melted.
- If you are using the optional Shortening Reserve Tank, fill it with shortening. Then position it on the conveyor side panels either ahead of or behind the turner, but not above it. The heat of the fryer will melt the shortening in the tank.
- Install your Feed Table and load proof cloths on it. Refer to Appendix A, "Related Products," for complete installation and operation instructions for the Feed Table.
- Choose the appropriate fry time for your product using the fry time control knob on the heater head.

8. Turn on the conveyor drive using the power switch on the heater head.

Note: If the conveyor becomes jammed, a warning buzzer will sound about a minute later and stop when the conveyor is turned off. The conveyor drive is impedance-protected so it will not burn out due to jamming.

WARNING

If the conveyor becomes jammed: 1. Turn off the conveyor drive and the heater. 2. Allow the system to cool down. HOT SHORTENING IS DANGEROUS. 3. Determine the cause of the jamming. 4. Clear it. 5. Restart the system.

9. Continue adding shortening to the kettle to maintain the proper shortening level (see step 1). There are three ways to do this:
 - Melt some shortening in a pan on the stove and carefully pour it into the kettle.
 - If you are using the optional EZ Melt, transfer more shortening from it. See your EZ Melt manual.
 - If you are using the optional Shortening Reserve Tank, push open the supply valve.
10. Continue loading proof cloths onto the Feed Table as needed.

2

Cleaning

WARNING

Thoroughly clean and dry the floor if shortening, water, or other materials are spilled. Materials spilled on the floor can cause serious injury or loss of life.

WARNING

To avoid electrocuting yourself or damaging the machine, never allow water, steam, shortening, cleaning solution, or any other liquid to enter the heater head or the cutter head assembly.

Cleaning the Hopper and the Plunger

You must clean the hopper and the plunger daily, or after each use. Follow these general guidelines:

- Use household dishwashing detergent. Do not use strong alkali cleaners such as lye, soda ash, or trisodium phosphate, as these discolor and corrode aluminum.
- Wash, dry, and lubricate parts thoroughly to prevent rusting.
- When washing parts by hand, wash each part separately; do not put any other utensil or dish in the sink with the part being washed.

To clean the hopper and the plunger:

1. Unplug the cutter head power cord.
2. Remove the plunger and the hopper. To do so, reverse the procedures found in Steps 2 and 3 of “Assembling the Cutter” in Section 1.
3. Pre-soak the parts, if necessary, to loosen stubborn or dried-on deposits.
4. Wash the hopper and the plunger separately in hot water and a detergent recommended for aluminum. Use a non-scratching plastic scouring cloth to remove soil and restore luster.
5. Rinse the hopper and the plunger separately in clear, hot water (170°-190°F/77°-88°C).
6. Dry each part completely.
7. Dip the plunger and the hopper cylinder in mineral oil or liquid shortening to prevent rust and sticking.
8. Wipe the cutter head assembly with a soft cloth dampened with hot water and an appropriate cleaner. Wipe it with another damp cloth to remove the cleaner. Wipe it dry.

CAUTION

To avoid electrocuting yourself or damaging the machine, never immerse the cutter head assembly.

Cleaning the Conveyor and the Kettle

There are four basic steps to cleaning the conveyor and the fryer kettle: removing the shortening, washing, rinsing, and drying. You must perform all four steps and perform them in the order listed.

Removing the Shortening

WARNING

To avoid being burned or electrocuted, disconnect the machine from the power source before cleaning the fryer.

1. Disconnect the machine from the power source.
2. Let the shortening cool to 100°F/38°C.
3. Unplug the cutter head power cord.
4. Lift the cutter head off the swing column.
5. Remove the conveyor assembly as follows:
 - a. Obtain two pieces of wood, at least 1" x 1" x 15" (2.5 cm x 2.5 cm x 38 cm).
 - b. Lift off the swing connecting rod.
 - c. Lift the conveyor assembly from the conveyor locating pin and pull it away from the heater head to disengage the main drive shaft coupling from the conveyor drive coupling.
 - d. Lift the outfeed end of the conveyor. Slide one piece of wood under the conveyor and lay it across the top of the kettle. Lift the other end of the conveyor and do the same with the other piece of wood. The conveyor will now be resting on the two pieces of wood. Let the shortening drain off of the conveyor and into the kettle. See Figure 3-1.

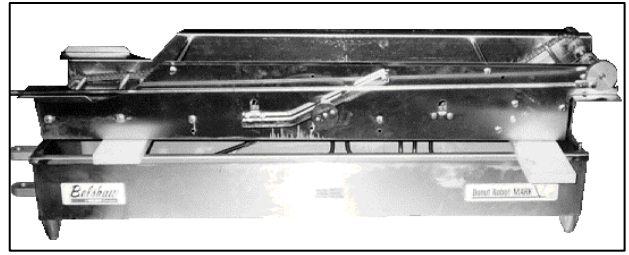


Figure 3-1. Draining the Shortening off of the Conveyor.

6. If you want to clean the turner assembly, remove and clean it as follows:
 - a. Move the flight bars of the conveyor until the turner is in the middle of a flight pocket.
 - b. Swing the turner cam weight up out of position.
 - c. Lift up and pull out on the turner cam assembly. See Figure 3-2.

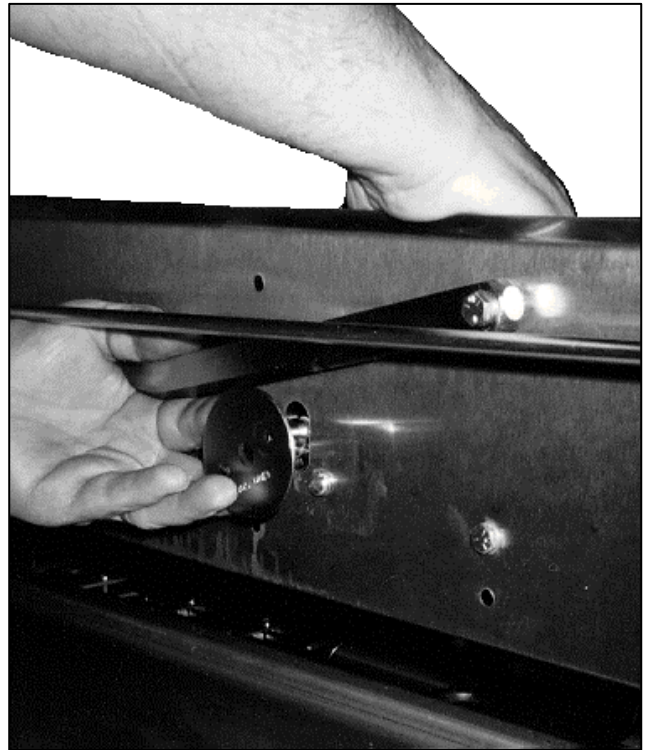


Figure 3-2. Removing the Turner Cam Assembly.

- d. Lift out the turner assembly. See Figure 3-3.

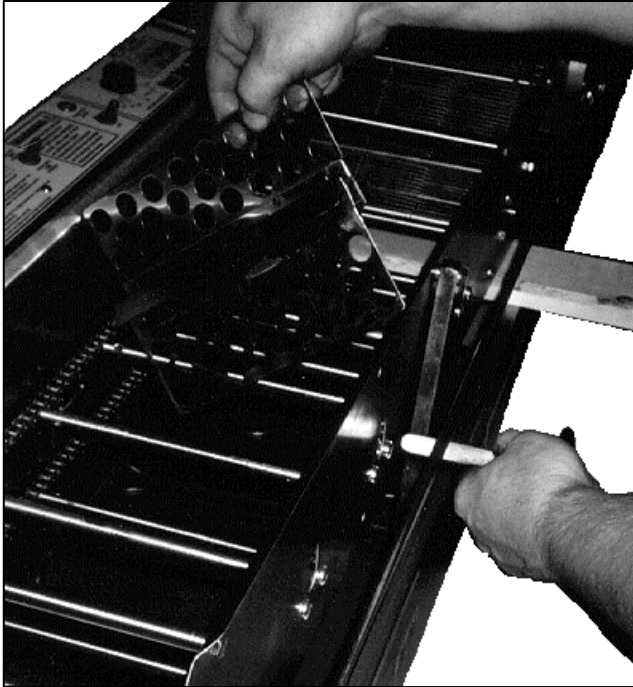


Figure 3-3. Removing the Turner Assembly.

- e. Wash the turner cam assembly and turner assembly using mild detergent and warm water.
- f. Rinse the turner cam assembly and turner assembly in clear water.
- g. Dry these parts thoroughly.

WARNING

All parts must be dried thoroughly. Moisture causes hot shortening to spatter, which may cause serious injury.

7. If you want to clean the drop plate, remove it by lifting its forward end and sliding it toward the rear of the conveyor. (See Figure 3-4.) Wipe the drop plate with a damp cloth.

CAUTION

If the drop plate is scratched, donuts will stick to it. To prevent this from happening, always wipe the drop plate in the direction of the grain in the metal, which runs parallel to the length of the conveyor, and never use abrasive cleaners.



Figure 3-4. Removing the Drop Plate.

8. After the shortening has drained off of the conveyor assembly, set the conveyor assembly aside.
9. Check again to see that the shortening in the kettle has cooled to 100°F/38°C.
10. Remove the shortening from the kettle using one of these methods:
 - Use an optional Filter Flo Siphon to siphon the shortening into one or more large metal buckets. (See the instructions in Appendix A.) Be careful not to disturb the sediment that has accumulated in the bottom of the kettle.
 - Tilt the heater head assembly back, raising the heating element out of the

kettle. Lift the kettle out of the fryer case and carefully pour the shortening into one or more large metal buckets. Be careful not to disturb the sediment that has accumulated in the bottom of the kettle.

- Using a small saucepan or a metal pitcher, scoop as much of the shortening as you can into one or more large metal buckets. Then lift the kettle out of the fryer case and carefully pour the rest of the shortening into a metal bucket. Be careful not to disturb the sediment that has accumulated in the bottom of the kettle.

WARNING

Do not use plastic buckets. If the shortening is not cool enough, the buckets will melt; possibly causing you to be burned, and causing shortening to get on the floor.

WARNING

Do not allow the shortening to overflow the buckets. Shortening will get on the floor, and if the shortening is not cool enough, you may be burned.

WARNING

Thoroughly clean and dry the floor if shortening is spilled. Shortening on the floor can cause serious injury or loss of life.

11. Return the kettle to the fryer case, if you have removed it.
12. Tilt the heater assembly down.

13. Brush off any carbon that has accumulated on the heating element. Accumulated carbon can cause corrosion and ineffective heating.
14. Tilt the heater head assembly back, raising the heating element out of the kettle.
15. Lift the kettle out of the fryer case. Remove and dispose of the remaining shortening and the accumulated sediment. Dry the outside of the kettle.
16. Put the kettle back in the fryer case.
17. Tilt the heater head assembly down.
18. Put the drop plate, turner cam assembly, and turner assembly back on the conveyor assembly.
19. Install the conveyor assembly.

Washing

1. Pour hot water into the kettle, up to the normal level of the shortening. Add about 2 oz/59 ml of trisodium phosphate or other appropriate cleaner.
2. Connect the machine to the power source. Heat the solution to 200°F/93°C. Turn on the conveyor. Keep the solution at this temperature for 15-20 minutes.
3. Turn off the conveyor and scrub the soiled parts while the solution is under heat. Do not use any abrasive cleaners or scrapers.
4. Turn off the heater and disconnect the machine from the power source. Allow the cleaning solution to cool to 100°F/38°C.
5. Remove the conveyor and tilt the heater head back as you did before.
6. Remove the cleaning solution from the kettle using one of these methods:
 - If you have an optional Filter Flo Siphon, remove its filter assembly. Then use the Filter Flo to siphon the cleaning solution into one or more large metal buckets. (See the instructions in

Appendix A.) When the cleaning solution has stopped draining, carefully carry the buckets to the sink and slowly pour the solution into the sink.

- Lift the kettle out of the fryer case, carefully carry it to the sink, and slowly pour the cleaning solution into the sink.
- Using a small saucepan or a metal pitcher, scoop as much of the cleaning solution as you can into one or more large metal buckets. Then lift the kettle out of the fryer case and carefully pour the rest of the cleaning solution into a metal bucket. Carefully carry the buckets to the sink and slowly pour the solution into the sink.

WARNING

Do not use plastic buckets. If the cleaning solution is not cool enough, the buckets will melt; possibly causing you to be burned, and causing cleaning solution to get on the floor.

WARNING

Do not allow the cleaning solution to overflow the buckets. Cleaning solution will get on the floor, and if the solution is not cool enough, you may be burned.

WARNING

Thoroughly clean and dry the floor if cleaning solution is spilled. Liquid on the floor can cause serious injury or loss of life.

7. Lift the kettle out of the fryer case, if you have not done so already.

8. Rinse the kettle thoroughly and dry it on the outside.
9. Install the kettle, tilt the heater head assembly down, and install the conveyor assembly as before.

Rinsing

1. Pour clean water into the kettle, up to the normal level of the shortening.
2. Connect the machine to the power source. Heat the water to 200°F/93°C.
3. Run the conveyor for 5-10 minutes.
4. Turn off the heater and disconnect the machine from the power source. Allow the water to cool to 100°F/38°C.
5. Lift the conveyor assembly out of the fryer case. Tilt the heater head assembly back.
6. Remove the water from the kettle using one of these methods:
 - If you have an optional Filter Flo Siphon, remove its filter assembly. Then use the Filter Flo to siphon water into one or more large metal buckets. (See the instructions in Appendix A.) When the water has stopped draining, carefully carry the buckets to the sink and slowly pour the water into the sink.
 - Lift the kettle out of the fryer case, carefully carry it to the sink, and slowly pour the water into the sink.
 - Using a small saucepan or a metal pitcher, scoop as much of the water as you can into one or more large metal buckets. Then lift the kettle out of the fryer case and carefully pour the rest of the water into a metal bucket. Carefully carry the buckets to the sink and slowly pour the water into the sink.

WARNING

Do not use plastic buckets. If the water is not cool enough, the buckets will melt; possibly causing you to be burned, and causing water to get on the floor.

4. If your kettle has the optional drain assembly, close the drain valve.

WARNING

Do not allow the water to overflow the buckets. Water will get on the floor, and if the water is not cool enough, you may be burned.

WARNING

Thoroughly clean and dry the floor if water is spilled. Water on the floor can cause serious injury or loss of life.

Drying

1. Thoroughly dry all parts, including the conveyor, the heating element(s), the inside of the kettle, and the drain.

WARNING

All parts must be dried thoroughly. Failure to dry the kettle, conveyor, and all parts of the Donut Robot completely will cause spattering or an eruption. Shortening will spatter or overflow the fryer and may result in fire, injury, or death.

2. Assemble the Donut Robot as before.
3. Make sure no water is in the drain or drain tube.

WARNING

To avoid being burned, electrocuted, or otherwise injured, always unplug the machine and allow it to cool down before making adjustments, clearing obstructions, lubricating, cleaning, or disassembling.

Taking Care of the Plunger, Hopper, and Cylinder

The plunger, hopper, and cylinder of your Donut Robot are precision instruments. With proper care, they will perform well for years. Follow these guidelines:

- Clean these parts only in the manner explained in this manual.
- Handle these parts with care. Avoid dropping them on hard surfaces.
- Do not force the machine if it becomes jammed. To avoid damaging the plunger, disassemble the machine and remove any obstructions.

Lubricating

Daily

Before using the machine each day, apply edible-grade mineral oil to the plunger connecting rod. The oil should penetrate the ball lock and the spring socket. See Figure 4-1.



Figure 4-1. Lubricating the Connecting Rod.

Weekly

Apply a few drops of SAE 30 machine oil to the swing column where it contacts the swing column bracket.

4

Related Products

This appendix contains information about the following products which you might use with your Donut Robot®:

- Feed Table
- Roto Cooler
- Filter Flo Siphon
- Shortening Reserve Tank

FT-42 Feed Table

SPECIFICATIONS				
Dimensions	Shipping Weight	Electrical Data	Construction	Standard Equipment
L = 52"/132 cm W = 19"/48 cm H = 11 3/4"/ 30 cm	73 lb/33.1 kg	115 V 1 Phase 50 Hz	Stainless steel, nickel-plated mild steel, and aluminum alloys.	Complete conveyor assembly, including drive system and controls. Does not include proofing cloths or proofing boards.



Figure 4-1. FT-42 Feed Table.

The FT-42 Feed Table is designed to supply proofed yeast-raised donuts to the Donut Robot. It produces less than 70 dB(A) of equivalent A-weighted sound pressure at work stations. This has been determined while running the machine, using a Bruel & Kjaer sound level meter, type 2236. The Feed Table is meant to be used on a flat, stationary table or countertop, positioned end-to-end with the Donut Robot. The operator is expected to read and follow these instructions.

Installation

1. Unplug the cutter head power cord of your Donut Robot.
2. Release the plunger from the cutter head.
3. Unscrew and lift off the hopper assembly.
4. Lift off the cutter head and swing column.
5. Lift the outfeed end of the Feed Table and set the brace under the trip shelf over the edge of the kettle.

WARNING

To avoid injury, make sure that the Feed Table is turned off before proceeding.

6. Plug the Feed Table power cord into the outlet on the end of the heater head.
7. Set the Donut Robot to cut one cut per pocket.

Operation

1. Test to make sure that the automatic timing for the Feed Table is working. To do this:
 - a. Turn on the Donut Robot's conveyor drive.
 - b. Turn on the Feed Table's conveyor drive.

The Feed Table should receive a signal from the Donut Robot, move forward the distance needed to supply one pocket of donuts, and then stop until it receives the next signal.

2. Proof your donuts on the proofing cloths from the Feed Table.
3. Put a proofing board, with a proofing cloth on it, on the Feed Table.
4. Press the prime switch on the power head assembly. The hooks on the Feed Table will grab the proofing cloth off of the proofing board. Allow the cloth to advance to the front of the Feed Table.
5. Release the prime switch and turn on the main power. Remove the proofing board.

When the Feed Table is on, the Feed Table automatically advances donuts when the Donut Robot is ready to accept them. After the donuts go into the fryer, the proofing cloths are carried underneath the Feed Table and fall onto the work surface.

6. Continue putting proofing cloths on the Feed Table.

CAUTION

To avoid damaging the machine, never use force to assemble or operate the Feed Table.

Maintenance and Cleaning

After Each Use

Use a soft, damp cloth for cleaning.

WARNING

To avoid electrocuting yourself or damaging the machine, never allow any liquid to enter the power head.

As Needed

If you ever need to adjust the tension of the conveyor chains, follow these steps:

1. Loosen the hex head bolts that hold the roller shaft at the outfeed end of the conveyor.
2. Pull the shaft until the chains reach the correct tension. The tension is correct when you can lift the chains about 1”/2.5 cm above the surface of the Feed Table. Each chain should have the same tension.
3. Tighten the hex head bolts that hold the roller shaft.

Roto Cooler

SPECIFICATIONS				
Dimensions	Shipping Weight	Electrical Data	Construction	Standard Equipment
Dia.=24"/61 cm H=6-5/8"/17 cm	16 lb/7.3 kg	120 V 1 Phase 50 Hz	Basket: High-density polyethylene. Base: Spun, polished, heavy-gauge aluminum.	Basket and turntable base with power cord and motor.



Figure 4-2. Roto Cooler.

The Roto Cooler is designed to catch and cool donuts as they drop from the outfeed end of the Donut Robot.

The Roto Cooler produces less than 70 dB(A) of equivalent A-weighted sound pressure at work stations. This has been determined while running the machine, using a Bruel & Kjaer sound level meter, type 2236.

The Roto Cooler is meant to be used on a flat, stationary table or countertop. The operator is expected to read and follow these instructions.

To use the Roto Cooler:

1. Place the Roto Cooler near the outfeed end of the Donut Robot so donuts will fall into it.
2. Connect the Roto Cooler power cord to the 120 V outlet on back of the Donut Robot's heater head.
3. Turn on the Roto Cooler. It will rotate and receive donuts. Remove cooled donuts from the Roto Cooler as needed.
4. When you are finished using the Roto Cooler, turn it off and unplug it.

WARNING

To avoid electrocuting yourself or damaging the machine, never submerge the base of the Roto Cooler.

5. Clean the Roto Cooler using soap and water and a non-abrasive cloth or scrubber.

Filter Flo Siphon

SPECIFICATIONS			
Dimensions	Shipping Weight	Construction	Standard Equipment
H=16"/41 cm Dia.=6-1/4"/16 cm	3 lb/1.4 kg	Siphon tube and valve: nickel-plated steel. Handle: wood. Filter ring: powder-coated. Filters: flannel. Mounting brackets: aluminum alloy.	Siphon assembly including valve, filter, filter ring, and clamp.

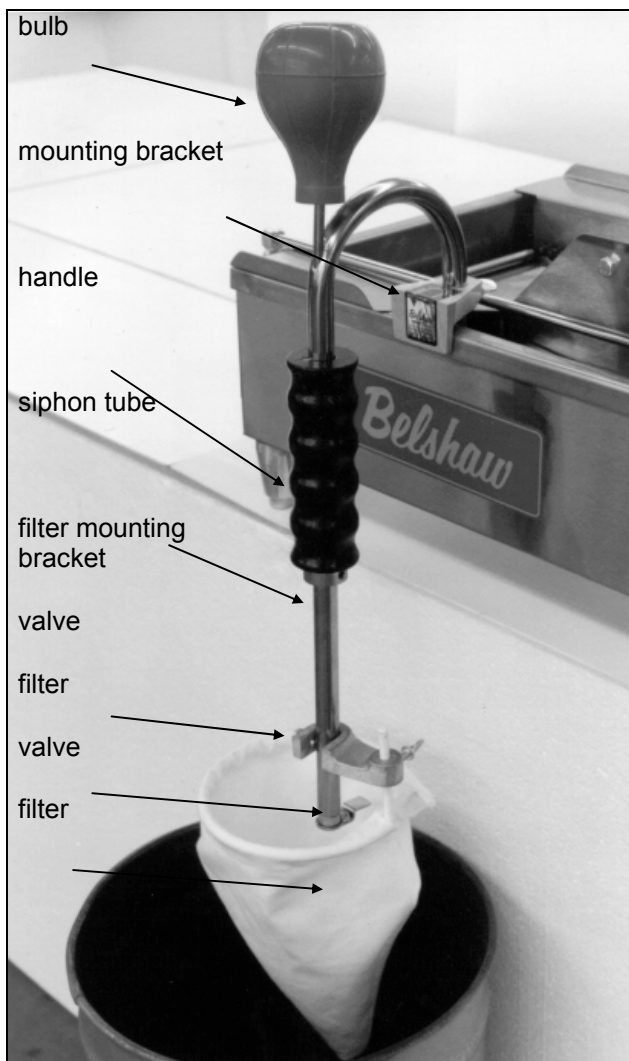


Figure A-5. Filter Flo Siphon.

The Filter Flo Siphon is designed to drain and filter shortening from the kettle of the Donut Robot. The operator is expected to read and follow these instructions.

Installation

1. Let the shortening cool to 100°F/38°C.

WARNING

Hot shortening can cause serious burns. Never touch hot shortening. Never wear shorts while using the Filter Flo Siphon.

2. Place the mounting bracket, with the siphon tube in it, on the lip of the kettle. You may place it on the infeed end of the kettle, or on the front side of the kettle. If you place it on the front side, you must disconnect the swing connecting rod from the throw arm and move it out of the way.
3. Position the opening of the siphon tube near the bottom of the kettle.
4. Tighten the thumb screw in the mounting bracket.

5. Attach the filter assembly to the lower part of the siphon tube, as shown in Figure A-5. To do this:
 - a. Slide the opening in the filter mounting bracket around the siphon tube.
 - b. Adjust the filter mounting bracket vertically to ensure that the filter does not touch the valve assembly.
 - c. Tighten the screw that holds the filter mounting bracket to the siphon tube.
 - d. Tighten the screw that holds the filter retaining ring to the filter mounting bracket.

WARNING

Make sure that both screws in the filter assembly are tight. If they are not, the filter assembly might slide off of the siphon tube during operation, causing shortening to splatter.

6. Place a five-gallon metal container under the filter.

WARNING

Do not use a plastic container. Hot shortening could melt the container, possibly burning you and getting shortening on the floor. Shortening on the floor could cause you to slip or fall, resulting in injury or even death.

Operation

1. Compress the bulb quickly and release it quickly. Do this only once. Shortening should flow into the container.

CAUTION

Do not compress the bulb more than once. Doing so could allow hot shortening to get into the bulb, damaging your equipment.

2. Watch the container as the shortening flows into it. If the shortening rises to within 2”/ 5 cm of the top of the container, do the following:
 - a. With one hand, hold the siphon by the handle. With the other hand, loosen the thumb screw that holds the siphon assembly to the mounting bracket on the lip of the kettle.
 - b. Slowly lift the siphon assembly so its opening is above the shortening. Do not remove it from the mounting bracket.
 - c. Tighten the thumb screw.
 - d. When the shortening stops flowing and the valve closes, move the container out from under the filter.
 - e. Place another five-gallon metal container under the filter.
 - f. With one hand, hold the siphon by the handle. With the other hand, loosen the thumb screw that holds the siphon assembly to the mounting bracket on the lip of the kettle.
 - g. Slowly lower the siphon assembly so its opening is near the bottom of the kettle.
 - h. Tighten the thumb screw.
 - i. Restart the siphon, as explained in step 1.
 - j. Continue watching the container and repeat the above procedure as needed.

WARNING

If you allow shortening to overflow the container, the shortening could burn you, and it will get on the floor, possibly causing slips, falls, injury, or even death. If shortening does get on the floor, thoroughly clean and dry the floor right away.

3. When the shortening stops flowing, tilt up the side of the kettle opposite the siphon. Place a wedge under the side of the kettle to hold it up. The remaining shortening will now flow toward the siphon.
4. Set aside the container of shortening.
5. Remove the filter assembly.
6. Place a different container under the valve assembly and start the siphon again. Drain the remaining shortening and discard it; it will be full of sediment.

Cleaning

1. Remove the siphon from the Donut Robot.
2. Squeeze the bulb several times to expel shortening from the siphon.
3. Wipe the siphon clean and hang it with the bulb side up so any remaining shortening will drain. Place a pan under the siphon to collect the shortening.
4. Rinse the filter bag and hang it to dry. You may launder it as needed.

WARNING

After washing, be sure the Filter Flo Siphon is completely dry before using it again. Moisture will cause hot shortening to spatter, which may cause serious injury.

Shortening Reserve Tank

SPECIFICATIONS				
Dimensions	Shipping Weight	Capacity	Construction	Standard Equipment
L=11"/28 cm W=5-1/2"/14 cm D=4"/10 cm	4 lb/2 kg	4 lb/2 kg shortening	Nickel-plated steel tank and non-corrosive self-closing valve.	Shortening reserve tank and valve assembly.

The Shortening Reserve Tank is designed to supply melted shortening to the kettle of the Donut Robot. The operator is expected to read and follow these instructions.

To use the Shortening Reserve Tank:

1. Position the Shortening Reserve Tank on the conveyor side panels. Make sure that you do not position it above the donut turner.
2. Place shortening in the tank.
3. Turn on the Donut Robot. The heat of the fryer will melt the shortening in the tank.
4. To supply shortening to the fryer, open the valve by pushing down on the valve assembly.
5. When you are done making donuts, drain the remaining shortening into the fryer.
6. When the shortening and equipment have cooled completely, remove the Shortening Reserve Tank and wash it.

WARNING

Be careful if you put hot shortening into the tank. Hot shortening can cause serious burns.

5

Donut-Making Helps

Tips on Making Quality Cake Donuts

- Use the correct batter temperature.

In general, the correct batter temperature is 75°-80°F/24°-27°C. Check the mix manufacturer's instructions, as the recommended temperature range may vary.

If the batter is too warm, the donuts will lack volume and may "ring out" or be misshapen. If the batter is too cold, the donuts will stay under the shortening too long, fry too slowly, and crack open or ball up. They may also absorb excess shortening and lose volume.

- Use the correct floor time.

A floor time of 10 minutes between mixing and cutting allows the baking powder to react with the water. This helps the donuts attain the proper volume and absorb the proper amount of shortening.

If the floor time exceeds 30 minutes, the mix will gas off, the donuts will lose volume and shape and will absorb too much shortening.

- Use the correct frying temperature.

The correct shortening temperature for frying is 370°-380°F/188°-193°C.

If the shortening is too hot, the donuts will fry too quickly on the outside and will lose volume. The donuts may also become dense inside.

If the shortening is too cold, the donuts will spread too rapidly, will form large rings, will tend to crack open, will be too light in appearance, and will absorb too much shortening.

- Maintain the proper shortening level. We recommend a distance of 1 1/4" between the cutter and the shortening.

If the shortening is too deep, the donuts may not turn over when they reach the turner, causing them to cook unevenly.

If the shortening is too shallow (too far below the cutter), the donuts may not drop flat, may turn over while submerging and surfacing, and may become irregular, cracked, or rough-crust.

- Ensure that the donuts absorb the right amount of shortening.

Donuts should absorb 1-1/2 to 3 oz/42 to 85 g of shortening per dozen, depending on their weight. You can achieve proper absorption by following tips 1-3.

- If the donuts do not absorb enough shortening, they will not keep well.

If they absorb too much shortening, they will lose volume and may become misshapen. If this happens, follow tips 1-3, mix the batter a little longer than usual, turn the donuts as soon as they become golden brown, and turn the donuts only once.

Calculating Correct Water Temperature

The following is an example of how to calculate the correct water temperature to use. You must

use your own room temperature, dry mix temperature, desired batter temperature, and, if you are making yeast-raised donuts, estimated temperature increase during mixing.

	Cake Donuts		Yeast-Raised Donuts	
	°F	°C	°F	°C
Room temperature	72	22.2	72	22.2
Dry mix temperature	<u>+70</u>	<u>+21.1</u>	<u>+70</u>	<u>+21.1</u>
Total A	142	43.3	142	43.3
Desired batter temperature	75	23.9	80	26.7
	<u>x3</u>	<u>x3</u>	<u>x3</u>	<u>x3</u>
Total B	225	71.7	240	80.1
Total B	225	71.7	240	80.1
-Total A	<u>-142</u>	<u>-43.3</u>	<u>-142</u>	<u>-43.3</u>
Desired water temp. for cake donuts	83°F	28.4°C	98	36.8
			↓	↓
		Figure from above	98	36.8
		Temperature increase during mixing (average: 30°F/17°C)	<u>-30</u>	<u>-17</u>
		Desired water temperature for yeast-raised donuts	68°F	19.8°C

Ratios of Plunger Sizes to Donut Weights

The weights given are for donuts without icings or other toppings. They are provided for reference only, as weights vary according to the density of the batter.

Plunger Size	Donut Weight per Dozen
1"	5-8 oz/142-227 g
1 7/16"	10-17 oz/283-482 g
1 9/16"	14-21 oz/397-595 g
1 13/16"	19-23 oz/539-652 g

Temperature Conversion

To convert temperatures from Fahrenheit to Celsius, subtract 32 from °F and divide the result by 1.8. For example, $212^{\circ}\text{F} - 32 / 1.8 = 100^{\circ}\text{C}$.

To convert temperatures from Celsius to Fahrenheit, multiply °C by 1.8 and add 32 to the result. For example, $(100^{\circ}\text{C} \times 1.8) + 32 = 212^{\circ}\text{F}$.

°F	°C	°F	°C
55	12.8	340	171.1
60	15.6	345	173.9
65	18.3	350	176.7
70	21.2	355	179.4
75	23.9	360	182.2
80	26.7	365	185.0
325	162.8	370	187.8
330	165.6	375	190.6
335	168.3	380	193.3



Donut Robot[®]

Mark II & Mark II GP

Technical Supplement

Belshaw Adamatic Bakery Group
814 44th Street Northwest, Suite 103
Auburn, WA 98001 USA

Phone: (206) 322-5474 • Fax: (206) 322-5425

E-mail: service@belshaw.com • <http://www.belshaw-adamatic.com>

If you accept the machine from the shipping company, you are, in effect, saying that the machine is in good condition, and you must pay for the machine. The freight company has accepted the responsibility for the safe delivery of our machines. **For your protection,** inspect the machine to see that no parts are bent, scratched, or otherwise damaged. If any damage has occurred in shipping, file a freight claim with the shipping company immediately.

EQUIPMENT RECORD

Please provide the information below when you correspond with us about your machine.

Purchased by _____

Installed by _____

Date of Installation _____

Model number _____

Serial number _____

0205

MN-1013EN

Belshaw Adamatic Bakery Group

814 44th Street Northwest, Suite 103

Auburn, WA 98001 USA

Phone: (206) 322-5474 • Fax: (206) 322-5425

E-mail: service@belshaw.com • <http://www.belshaw-adamatic.com>

Contents

<u>1</u>	<u>Installation</u>	<u>1</u>
	Unpacking the Fryer	2
	Initial Cleaning	2
	Assembling the Fryer	2
	Assembling the Cutter	4
	Adjusting the Hopper	5
	Leveling and Securing the Fryer	6
	Moving the Fryer	6
<u>2</u>	<u>Maintenance</u>	<u>8</u>
	Lubricating	8
	Checking the Thermostat	9
	Taking Care of the Plunger, Hopper, and Cylinder	9
<u>3</u>	<u>Troubleshooting</u>	<u>10</u>
	FT-42 Feed Table	20
<u>4</u>	<u>Electrical Components</u>	<u>23</u>
	Adjusting the Thermostat (“Temperature Control”)	23

Preface

This technical supplement to the Donut Robot® Mark II Operator's Manual contains much information that users and service persons may find helpful:

- Detailed maintenance procedures for the Mark II
- Detailed troubleshooting guides for the Mark II and the FT-42 Feed Table
- Parts lists and assembly drawings of the Mark II, the FT-42 Feed Table, the Roto Cooler, and the Icing Finishing Tree
- Wiring diagrams of the FT-42 Feed Table and the Roto Cooler
- Instructions on the testing and calibration of electrical components
- Information to make your donut production easier

Remember that this is a supplement, not the official operator's manual. You use this supplement at your own risk. While we have made every effort to inform you of how to behave safely, Belshaw Adamatic denies any liability for the use of the information contained herein.

1

Installation

To help familiarize you with the major parts of your Donut Robot® Mark II, please study the photograph below.

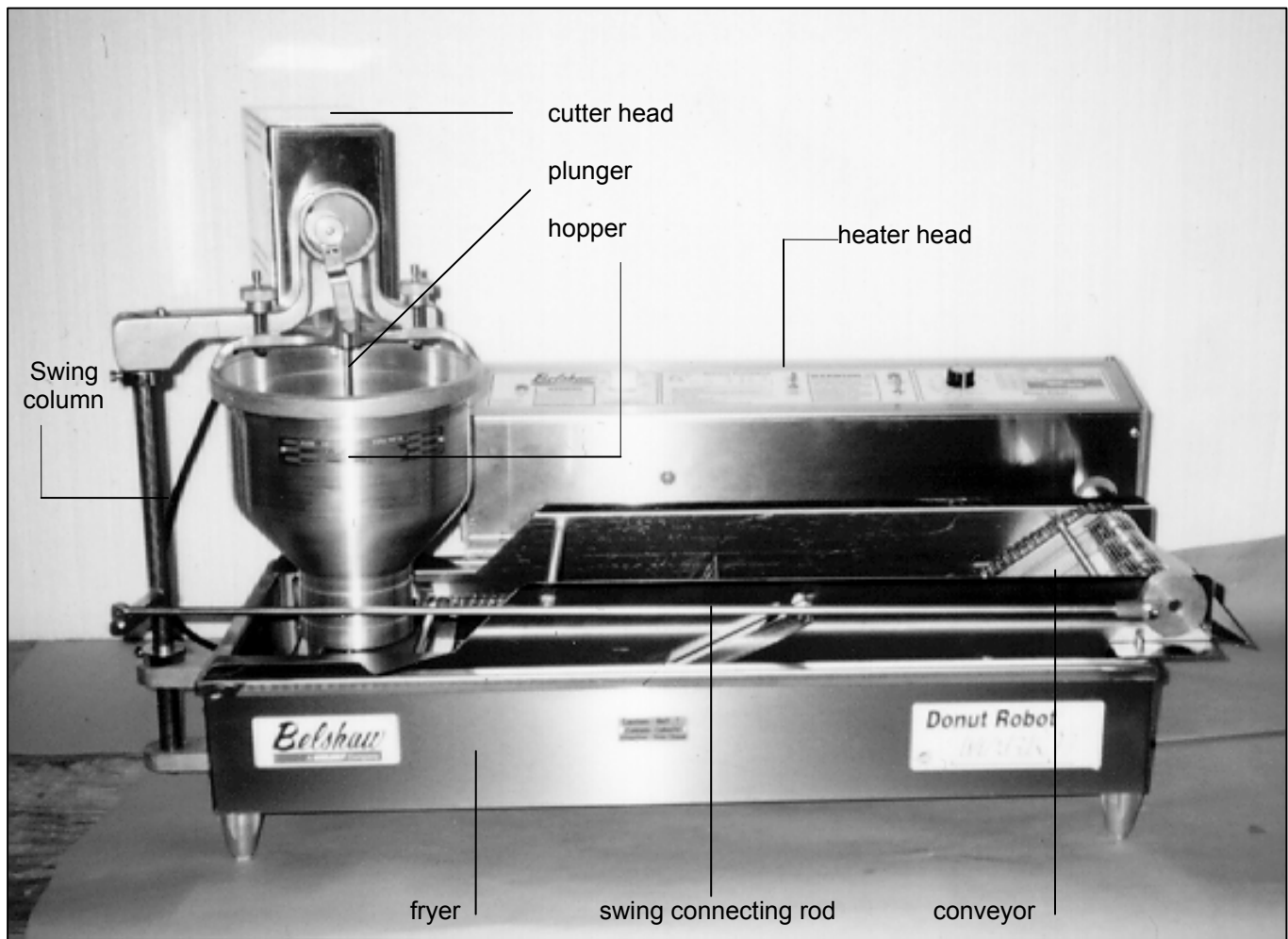


Figure 1-1. Donut Robot Mark II.

Unpacking the Fryer

To unpack the Donut Robot® Mark II. First transport the Mark II to the workstation:

1. Remove the foam and other packing materials from the two boxes.
2. Carry the hopper, plunger, and column to the workstation.
3. Coil the cutter head power cord and carry the cutter head to the workstation.
4. Carry the conveyor assembly to the workstation.
5. Remove the clevis pins that hold the heater head in place, and lift the heater head out of the fryer.
6. Coil the power cord and carry the heater head to the workstation.
7. Move the fryer case and kettle to the workstation.

Initial Cleaning

Thoroughly clean your Donut Robot Mark II before using it. Remove all packing materials. Use household dishwashing detergent. **Do not use strong alkali cleaners such as lye, soda ash, or trisodium phosphate.** Thoroughly dry and lubricate parts to prevent rusting.

Refer to the Cleaning section in the Operator's Manual for detailed cleaning instructions.

WARNING

To avoid electrocution or damaging the machine, never allow water, steam, cleaning solution, or other liquid to enter the cutter head or heater head assemblies.

WARNING

Never let water and hot shortening come in contact. Moisture causes hot shortening to spatter, which may cause serious injury. Prior to use, make sure any parts you have washed are dry.

After cleaning, assemble the fryer and cutter as explained below.

Assembling the Fryer

1. Place the fryer case on a flat, stationary surface.
2. Screw the fryer's legs in as far as they will go.
3. Set the kettle into the fryer case. The end of the kettle that has the locating pin must be placed at the outfeed end of the fryer case. The lip of the kettle should fit securely over the edge of the case.
4. Install the heater head assembly as follows:
 - a. Align the holes in the heater head end caps with the holes in the heater head mounting brackets.
 - b. Slide the clevis pins through the holes so that the pinheads are on the outsides.
 - c. Insert the hairpin clips into the holes in the clevis pins.
5. Lower the heater head assembly into position so the thermostat bulb bracket rests on or very near the bottom of the kettle.
6. Install the conveyor assembly as follows:
 - a. Hold the conveyor at the angle shown in Figure 1-2 and slide the conveyor drive coupling over the main drive shaft coupling. The conveyor coupling has a notch in it. Turn the conveyor coupling until the head of the socket head screw in the drive coupling can slide into this notch. (See Figure 1-2.)

- b. Lower the front side of the conveyor assembly so the hole in the conveyor flange fits over the locating pin on the lip of the kettle.

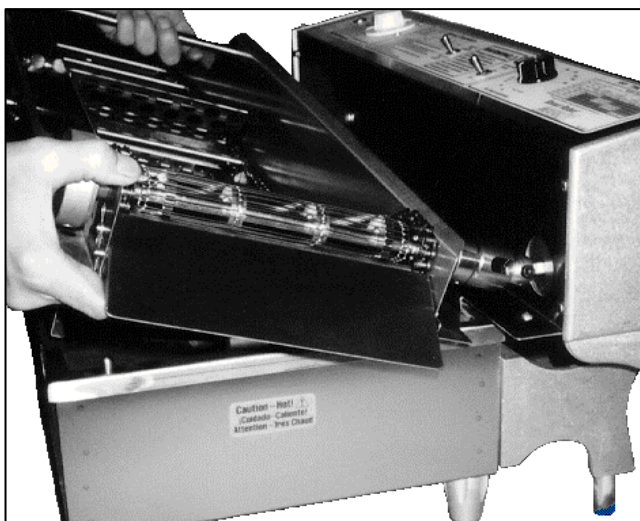


Figure 1-2. Joining the Couplings.



Figure 1-3. Inserting the Swing Column.

If you are preparing to make yeast-raised donuts, skip steps 7 and 8 and proceed to step 9.

7. Insert the swing column into the swing column-mounting bracket. Make sure the

plastic spacer washer is on the swing column between the set collar and the swing column-mounting bracket. (See Figure 1-3.)

8. Connect the swing connecting rod to the throw arm of the swing column. A locating pin on the swing connecting rod rests in a hole in the throw arm. (See Figure 1-4.)

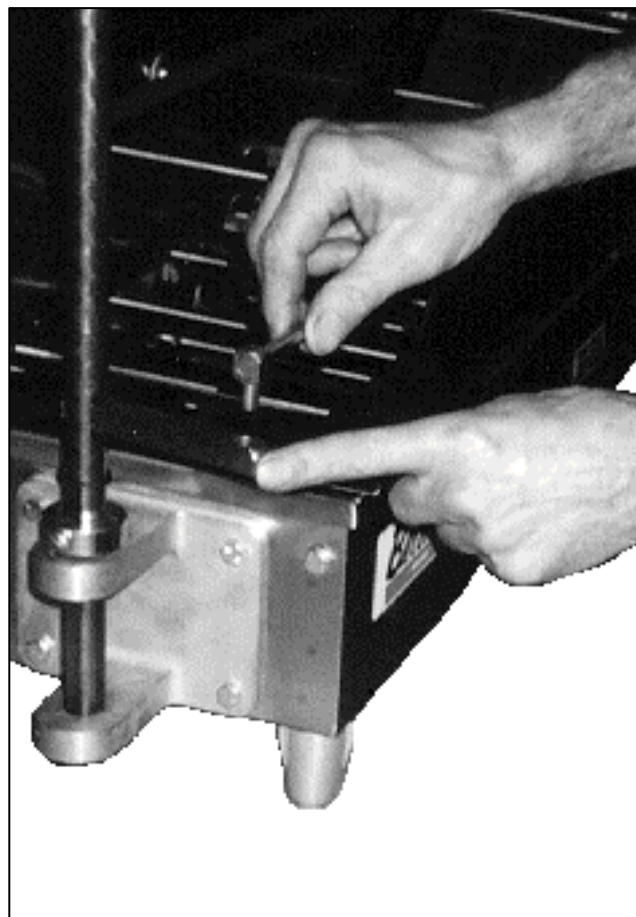


Figure 1-4. Connecting the Swing Connecting Rod.

9. Be sure your power source matches the specifications on the data plate. Connect the machine to the power source.
10. Turn on the conveyor only and check to see that it operates smoothly. The power switch for the conveyor drive is on the heater head.

Assembling the Cutter

Read this section only if you are preparing to make cake donuts.

1. Set the cutter head assembly onto the swing column. (See Figure 1-5.)

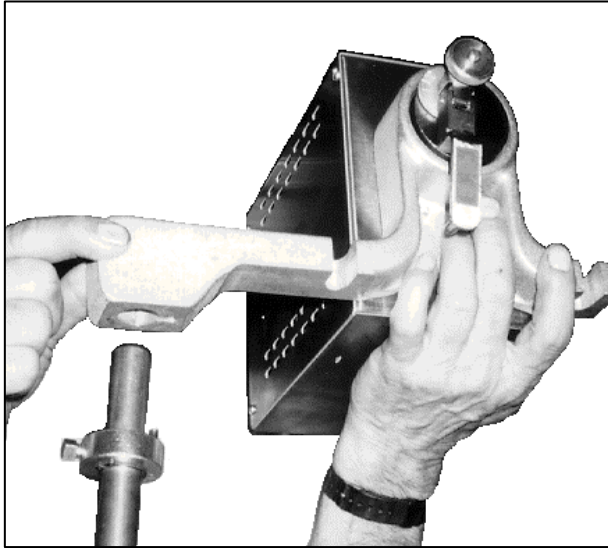


Figure 1-5. Mounting the Cutter Head Assembly.

2. Mount the hopper by sliding the two mounting studs on the hopper arch into the notches on the bearing strut. Secure the hopper with the thumbnuts. (See Figure 1-6.)

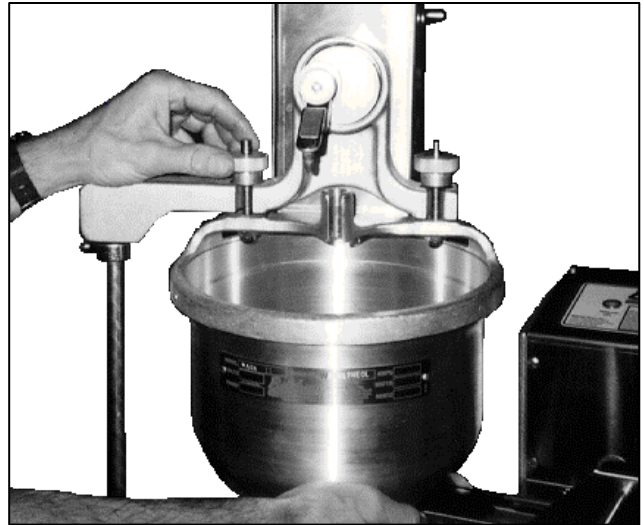


Figure 1-6. Mounting the Hopper.

3. Install the plunger as follows:
 - a. Pull the plunger connecting rod up and out of the way.
 - b. Put the narrow part of the plunger's center rod through the slot in the center of the hopper arch.
 - c. Lower the plunger until the wider part at the top of the center rod enters the round opening in the hopper arch and the plunger's piston just enters the hopper cylinder.
 - d. Lower the connecting rod and insert the pin into the hole near the top of the plunger center rod. (See Figure 1-7.)



Figure 1-7. Installing the Plunger.

4. Plug the power cord from the cutter head assembly into the outlet on the back of the heater head.
5. Test the cutter head to ensure that it is operating properly. Turn it on using the prime switch on the cutter head. The cutter should run continuously. Turn off the cutter.

Adjusting the Hopper

Read this section only if you are preparing to make cake donuts.

WARNING

To avoid injury, always disconnect the machine from the power source before making adjustments.

1. The bottom of the hopper should be 1”/ 2.5 cm above the flight bars. To set the height of the hopper:
 - a. Hold the cutter and the hopper from below.
 - b. Loosen the setscrew in the lower set collar on the swing column.

- c. Raise or lower the swing column as needed.
- d. Tighten the setscrew. (See Figure 1-8.)



Figure 1-8. Adjusting the Height of the Hopper.

2. As the hopper swings back and forth over the kettle, the hopper cylinder should stop the same distance away from either side of the kettle at each end of the swing.

To check the swing of the hopper, turn on the conveyor. If you need to center the swing of the hopper, follow these steps:

- a. Turn off the conveyor.
- b. Loosen the setscrews in the upper set collar.
- c. Swivel the bearing strut as needed.
- d. Tighten the setscrews. See Figure 1-9.



Figure 1-9. Adjusting the Swing of the Hopper.

- e. Double-check the swing of the hopper by turning on the conveyor. Then turn off the conveyor.

Leveling and Securing the Fryer

Check to see if the fryer is level. If it is not, adjust the heights of the legs. Be sure that all six legs rest on the work surface when the fryer is level.

Bolt the fryer to the work surface as follows:

1. There are brackets on the ends of the fryer case. Each has a hole in it. Mark the locations of the holes on the work surface.
2. Drill holes through the work surface.
3. Insert bolts through the holes.
4. Tighten nuts onto the bolts to ensure that the Donut Robot will not move.

Moving the Fryer

If you ever want to move the fryer to a different workstation, follow this procedure:

1. Turn off the machine and disconnect it from the power source. Unplug the cutter head power cord.
2. Allow the machine and the shortening to cool.

WARNING

Do not touch hot shortening. It can cause serious burns.

3. Remove and set aside the plunger, the hopper, and the cutter head, in that order.
4. Disconnect the swing connecting rod.
5. Remove the shortening from the fryer as explained in “Removing the Shortening” in Section 3.
6. To avoid dropping the machine or getting shortening on the floor wipe excess shortening off of the fryer and the conveyor.

WARNING

Thoroughly clean and dry the floor if shortening is spilled. Materials on the floor can cause people to slip or fall, resulting in serious injury or loss of life.

7. Set aside the conveyor.
8. Remove the clevis pins that hold the heater head in place. Remove the heater head from the fryer.
9. To prevent tripping, coil the power cord. Move the heater head to the new workstation.
10. Move the fryer to its new location.
11. Install the heater head.

12. Move and install the conveyor.
13. Move and install the swing column.
Connect the swing connecting rod.
14. To prevent tripping, coil the cutter head power cord. Move and install the cutter head.
15. Move and install the hopper and the plunger.
16. Level and secure the fryer.

2

Maintenance

WARNING

To avoid being burned, electrocuted, or otherwise injured, always unplug the machine and allow it to cool down before making adjustments, clearing obstructions, lubricating, cleaning, or disassembling.

Lubricating

Daily

Before using the machine each day, apply food grade lubricating oil to the plunger connecting rod. The oil should penetrate the ball lock and the spring socket. See Figure 2-1.



Figure 2-1. Lubricating the Connecting Rod.

Weekly

1. Apply a few drops of food grade lubricating oil to the swing column where it contacts the swing column bracket. See arrow on Figure 2-2.

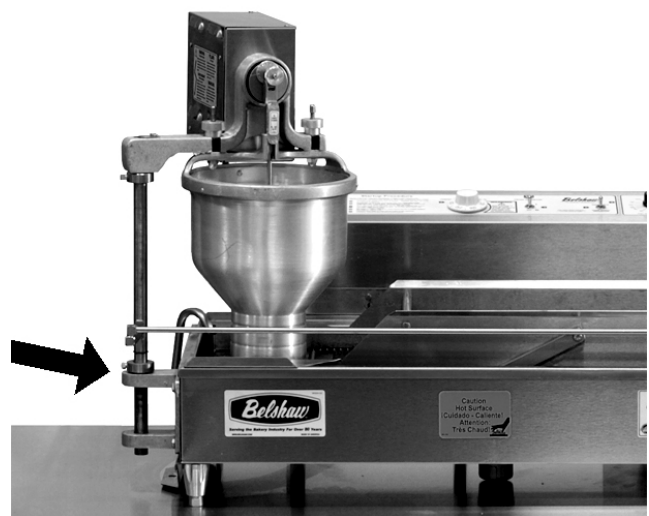


Figure 2-2. Lubricating the swing column.

Yearly

Lubricate the conveyor drive gears, as explained below.

1. Disconnect the machine from the power source.
2. Remove the back cover of the heater head.
3. Lightly coat the gear teeth with food grade grease. See Figure 2-3.

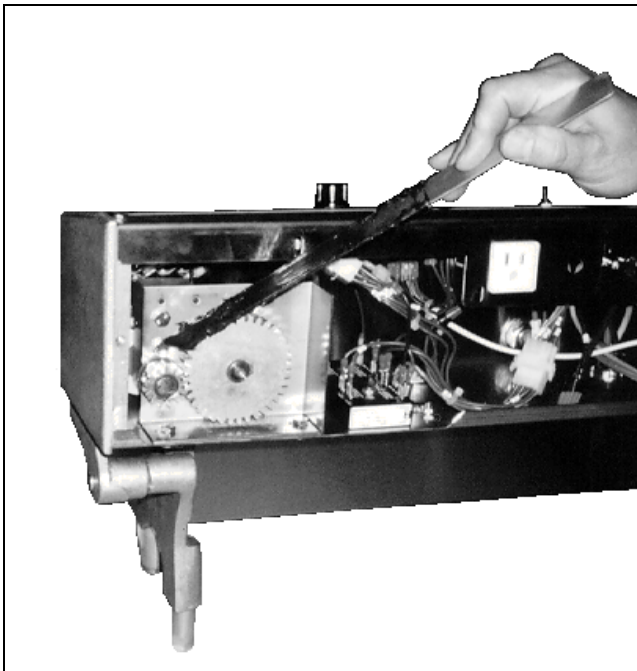


Figure 2-3. Lubricating the Drive Gears.

6. Replace the back cover of the heater head.

Checking the Thermostat

If the quality of your product decreases, check the accuracy of the thermostat. Heat some shortening in the fryer, measure the temperature of the shortening using a thermometer you know to be accurate, and compare this reading to the thermostat setting. It is important that you put the thermometer in the top 1”/2.5 cm or so of shortening, because this is where the donuts are fried, and this is where the temperature should be consistent. If you need to calibrate the thermostat, consult the “Electrical Components” section.

Taking Care of the Plunger, Hopper, and Cylinder

The plunger, hopper, and cylinder of your Donut Robot are precision instruments. If you take good care of them, they will perform well for years. Follow these guidelines:

- Clean these parts only in the manner explained in this manual.
- Handle these parts with care. Avoid dropping them on hard surfaces.
- Do not force the machine if it becomes jammed. To avoid damaging the plunger, disassemble the machine and remove any obstructions.

3

Troubleshooting

CAUTION

If you perform repairs yourself or have them performed by anyone other than a service technician authorized by Belshaw Adamatic Bakery Group, you do so at your own risk.

This section is designed as an aid in troubleshooting with the Donut Robot® Mark II and with the FT-42 Feed Table. It is not a substitute for a qualified technician. You may encounter a problem with your machine that is not covered in this section, or you may try the remedies suggested here and find that they do not solve the problem. If this happens, call your dealer or another qualified technician. Also, call your dealer if you need a replacement part.

If you need assistance in identifying a part, you can contact Belshaw Adamatic Service Dept at 800-578-2547 or email service@belshaw.com. You will need to state:

- The model name of the machine.
- The serial number of the machine.
- The voltage, phase, and cycle of the machine.

Following is a troubleshooting chart to help identify and solve problems with the Mark II. See also “Donut-Making Helps.”

WARNING

To avoid being burned, electrocuted, or otherwise injured, unplug the machine and allow it to cool before disassembling, repairing, or wiring.

THE DONUTS BALL OR BLISTER.	
Possible Causes	What To Do
The dough is too cold.	See “Donut-Making Helps” section.
The shortening is too hot.	Decrease the temperature setting.
The dough is overmixed.	Review the mixing procedure.
The donuts are too large.	Adjust the dial on the cutter head to produce smaller donuts.
The shortening is old or contaminated.	WARNING
	To avoid being burned, turn off the machine and allow the shortening to cool.
	Replace the bad shortening with fresh shortening.
THE DONUTS ARE SHAPED IMPERFECTLY.	
Possible Causes	What To Do
The shortening level is too low.	Add shortening to reach the proper level.
The drop plate is out of position.	WARNING
	To avoid being burned or otherwise injured, turn off the machine and allow the shortening to cool.
	Reposition the drop plate.
The tip of the cylinder is dirty.	WARNING
	To avoid injury, turn off the machine and remove the hopper.
	Clean the cylinder.
The tip of the cylinder is nicked.	Replace the hopper.
The size-selection dial is not tightened.	Tighten the thumb nut.
The dough is overmixed.	Review the mixing procedure.

THE DONUTS ARE UNDERCOOKED.

Possible Causes	What To Do
The shortening is not hot enough.	Increase the temperature setting.
The conveyor is moving too quickly.	Decrease the speed of the conveyor, using the knob labeled “Fry Time in Seconds.”
The dough is too cold.	See “Donut-Making Helps.”
The dough has not had enough floor time.	See “Donut-Making Helps.”
The thermostat reads inaccurately.	Calibrate the thermostat.

THE DONUTS ARE OVERCOOKED.

Possible Causes	What To Do
The shortening is too hot.	Decrease the temperature setting. The temperature setting should never exceed 375°F/191°C.
The conveyor is moving too slowly.	Increase the speed of the conveyor, using the knob labeled “Fry Time in Seconds.”
The thermostat reads inaccurately.	Calibrate the thermostat.

THE CUTTER SWING COLUMN CHATTERS.

Possible Causes	What To Do
	WARNING
	To avoid injury, before doing either of the following, turn off the machine.
The nylon thrust washer is missing.	Install the nylon thrust washer between the swing column bracket and the set collar.
There is not enough lubrication between the swing column and the swing column mounting bracket.	Lubricate the upper and lower legs of the bracket with SAE 30 machine oil.

THE CONVEYOR BITES THE DONUTS.	
Possible Causes	What To Do
The donuts are not cooking enough.	See “The donuts are undercooked” below.
The shortening level is too low.	Add shortening to reach the proper level.
	WARNING
	Before doing any of the following, turn off the machine and allow the shortening to cool.
The turner is bent or packed with cooked food particles.	Straighten and/or clean the turner.
The cam weight is sticking due to the accumulation of varnish.	Clean to remove the cooked-on varnish.
The fryer is not level.	Level the fryer.
THE CUTTER OPERATES CONTINUOUSLY.	
Possible Causes	What To Do
	WARNING
	To avoid being burned, electrocuted, or otherwise injured, before doing any of the following, turn off the machine, allow the shortening to cool, and disconnect the machine from the power source.
One of the microswitches is defective. (There are three microswitches in the conveyor drive assembly and one microswitch in the cutter head.)	For help in testing the microswitches, refer to the section “Electrical Components.” Replace any defective microswitches.
Something is interfering with the nylon brake dog in the cutter head.	Clear away the cause of the interference.
The brake spring in the cutter head is weak or broken.	Replace the spring.

THE DONUTS DROP AT THE WRONG TIME.

Possible Cause	What To Do
The hopper swing is adjusted incorrectly.	WARNING
	To avoid injury, turn off the machine.
	Adjust the hopper swing. See “Adjusting the Hopper” in the “Installation” section.

THE HEATING ELEMENT FAILS TO MAINTAIN THE PROPER TEMPERATURE.

Possible Causes	What To Do
The input voltage is incorrect.	Supply the correct power as specified on the data plate.
Sediment has accumulated around the thermostat bulb.	WARNING
	To avoid being burned or otherwise injured, turn off the machine and allow the shortening to cool.
	Clean to remove the sediment. (Clean the Donut Robot regularly and thoroughly.)
The thermostat has been calibrated incorrectly.	Recalibrate the thermostat.
The thermostat is defective.	WARNING
	To avoid being burned, electrocuted, or otherwise injured, turn off the machine, allow the shortening to cool, and disconnect the machine from the power source.
	Replace the thermostat.

THE CONVEYOR IS JAMMED.	
Possible Causes	What To Do
	WARNING
	To avoid being burned or otherwise injured, before doing any of the following, turn off the machine and allow the shortening to cool.
Cooked food particles are wedged between a chain opening and a sprocket tooth.	Clean to remove the food particles. Clean the Donut Robot regularly and thoroughly.
The turner slot is packed with cooked food particles.	Clean to remove the food particles.
The drop plate is out of position and is interfering with the conveyor.	Reposition the drop plate.
Something is interfering with the free movement of the turner cam and cam weight.	Remove the obstruction.
The heating element is bent and is interfering with the turner.	Straighten the heating element.
The turner is out of position and is catching on a flight bar below.	Lift and move the outfeed end of the conveyor to disengage the conveyor coupling from the conveyor drive shaft. Turn the conveyor back 2-3 pockets. The turner will return to the correct position.
The conveyor drive shaft and the drive motor shaft are out of alignment.	Remove the cover of the drive assembly. Loosen the four mounting spacers so the drive assembly can be moved. Align the motor shaft with the conveyor shaft. When they are aligned, tighten the mounting spacers. Replace the cover.

THE MOTOR OVERHEATS.	
Possible Causes	What To Do
The power requirements of the machine do not match the power source.	Supply the correct power as specified on the data plate.
	WARNING
	To avoid being burned, electrocuted, or otherwise injured, before doing the following, turn off the machine, allow the shortening to cool, and disconnect the machine from the power source.
The motor is binding.	Repair or replace the motor.
The motor is defective.	Repair or replace the motor.
THE CUTTER CUTS DOUBLE WHEN YOU HAVE SELECTED ONE CUT PER POCKET.	
Possible Causes	What To Do
	WARNING
	To avoid being burned, electrocuted, or otherwise injured, before doing any of the following, turn off the machine, allow the shortening to cool, and disconnect the machine from the power source.
The nylon brake dog is binding on the cutter brake motor.	Loosen the brake dog. If the spring is missing or weak, replace it. If the brake dog is worn, replace it.
An internal wire is interfering with the nylon brake dog.	Move the wire.
The arm on the cutter head microswitch is bent.	Bend the arm back into position or replace the microswitch.
The wires on the cutter head microswitch are reversed.	Make the correct connections.

THE CUTTER WILL NOT OPERATE, BUT THE CONVEYOR RUNS.

Possible Causes	What To Do
The cutter head power cord is not plugged in to the outlet on the back of the heater head.	Connect the cutter head power cord to the correct outlet.
	<p>WARNING</p> <p>To avoid being burned, electrocuted, or otherwise injured, before doing any of the following, turn off the machine, allow the shortening to cool, and disconnect the machine from the power source.</p>
The set screws in the cutter head cam are loose.	Tighten the set screws.
The cutter head power cord is broken.	Repair or replace the cutter head power cord.
The cutter motor is defective.	Replace the cutter motor.
One of the microswitches is defective. (There are three microswitches in the conveyor drive assembly and one microswitch in the cutter head.)	For help in testing the microswitches, refer to Section 5, “Electrical Components.” Replace any defective microswitches.
The cutter head power switch is defective.	Replace the cutter head power switch.
The circuit breaker on the back of the heater head is defective.	Replace the circuit breaker.
The cutter head assembly wiring harness is not connected.	Check the connection between the pin housing in the conveyor drive assembly and the socket housing in the heater head. Also, make sure that the pins are securely seated in the pin housing.
The cuts-per-pocket switch is defective.	Replace the cuts-per-pocket switch.

THE ELEMENT WILL NOT HEAT, AND THE CONVEYOR WILL NOT RUN.

Possible Causes	What To Do
The power cord is not plugged in, or the outlet has no power.	Connect the machine to a good power source.
	WARNING
	To avoid being burned, electrocuted, or otherwise injured, before doing any of the following, turn off the machine, allow the shortening to cool, and disconnect the machine from the power source.
The power cord is defective.	Replace the power cord.
The transformer is defective.	Replace the transformer.
The connections to the transformer are bad.	Rewire the connections to the transformer.

THE ELEMENT WILL NOT HEAT, BUT THE CONVEYOR RUNS.

Possible Causes	What To Do
The high temperature limit control switch has been tripped.	Push the red reset button on the back panel of the heater head.
The thermostat has been calibrated incorrectly.	Recalibrate the thermostat.
	WARNING
	To avoid being burned, electrocuted, or otherwise injured, before doing any of the following, turn off the machine, allow the shortening to cool, and disconnect the machine from the power source.
The high temperature limit control is defective.	Replace the high temperature limit control.
The thermostat is defective.	Replace the thermostat.
The contactor for the transistor is defective.	Replace the contactor.
The connections to the contactor are bad.	Rewire the connections to the contactor.

THE ELEMENT HEATS, BUT THE CONVEYOR WILL NOT RUN.

Possible Causes	What To Do
The input voltage is incorrect.	Supply the correct power as specified on the data plate.
The circuit breaker has been tripped.	Reset it by moving the white switch on the back of the heater head to “off” and then to “on.” If the conveyor still will not run, see that the power source agrees with the specifications on the data plate. If the problem persists, see below.
	WARNING
	To avoid being burned, electrocuted, or otherwise injured, before doing any of the following, turn off the machine, allow the shortening to cool, and disconnect the machine from the power source.
There is a short circuit.	Find it and repair it. (First see “The circuit breaker has been tripped” above.)
The wiring harness in the conveyor drive assembly is not connected.	Check the connection of the pin connector from the conveyor drive assembly to the socket connector in the heater head enclosure. Make sure the pins in the pin housing are securely seated in the housing.
The conveyor drive power switch is defective.	Replace the switch.
The nylon brake dog is binding on the conveyor brake motor.	If the brake dog is worn, replace it. If it is too tight, loosen it. If the spring is weak or missing, replace it.
The brake motor is defective.	Replace the brake motor.
An internal wire is interfering with the nylon brake dog.	Move the wire.
A fan blade is caught on a wire.	Move the wire.
The conveyor is jammed.	Clear the obstruction.
The couplings are not engaged.	Engage the couplings.
The conveyor drive coupling is slipping.	Tighten the two set screws.

FT-42 Feed Table

Following is a troubleshooting chart to help identify and solve problems with the FT-42 Feed Table.

WARNING
To avoid being burned, electrocuted, or otherwise injured, unplug the machine and allow it to cool before disassembling, repairing, or wiring.

THE CONVEYOR CHAINS DO NOT ADVANCE WHEN THE MAIN POWER IS ON OR WHEN THE PRIME SWITCH IS PRESSED, AND THE PILOT LIGHT DOES NOT COME ON.	
Possible Causes	What To Do
The power cord is not connected.	Plug in the power cord.
The circuit breaker for the gear box outlet on the Donut Robot's heater head is tripped.	Push the white reset button near the outlet.
	WARNING
	To avoid electric shock or other injury, before doing any of the following, unplug the machine.
The black or white wire in the power cord is broken or poorly connected.	Repair the cord and/or make the proper connection.
The fuse on the Feed Table is blown.	Replace the fuse.
The fuse for the Donut Robot's conveyor is blown.	Replace the fuse.

THE CONVEYOR CHAINS DO NOT ADVANCE WHEN THE MAIN POWER IS ON, BUT THEY DO ADVANCE WHEN THE PRIME SWITCH IS PRESSED.

Possible Causes	What To Do
	WARNING
	To avoid electric shock or other injury, before doing any of the following, unplug the machine.
The red wire in the power cord is broken or poorly connected.	Repair the cord and/or make the proper connection.
The microswitch in the power head is defective.	Replace the microswitch.
The microswitch in the Donut Robot's signal circuit is defective.	Replace the microswitch.

THE CONVEYOR CHAINS DO NOT ADVANCE AT ALL, DO NOT ADVANCE FAR ENOUGH, OR DO NOT ADVANCE THE SAME DISTANCE DURING EACH CYCLE, BUT THE PILOT LIGHT DOES COME ON.

Possible Cause	What To Do
	WARNING
	To avoid electric shock or other injury, before doing the following, unplug the machine.
The cam in the power head is loose.	Tighten the cam set screw.

THE CONVEYOR CHAINS ADVANCE CONTINUOUSLY WHEN THE MAIN POWER IS ON.	
Possible Causes	What To Do
	WARNING
	To avoid electric shock or other injury, before doing any of the following, unplug the machine.
The brake is defective.	Repair or replace the brake.
The cam in the power head is loose.	Tighten the cam set screw.
The microswitch in the power head is defective.	Replace the microswitch.
The microswitch in the Donut Robot's signal circuit is defective.	Replace the microswitch.
TWO ROWS OF DONUTS ARE ADVANCED DURING EACH CYCLE.	
Possible Causes	What To Do
	WARNING
	To avoid electric shock or other injury, before doing either of the following, unplug the machine.
The brake is defective.	Repair or replace the brake.
The cam in the power head is loose.	Tighten the cam set screw.

4

Electrical Components

This section explains how to check and adjust the thermostat on a Donut Robot[®] fryer. Do this if the temperature on the Temperature Control dial does not match the temperature reading taken by a reliable thermometer or temperature probe.

Adjusting the Thermostat (“Temperature Control”)

1. This procedure requires about 15 minutes if the fryer is hot. Do not perform this test while making donuts.
2. Have a reliable thermometer or temperature probe ready that reads up to 400°F (or 200°C).
3. If the shortening is liquid, turn on the fryer conveyor. This will circulate the heat evenly around the fryer.
4. Set the Temperature Control dial to 375°F (190°C). Allow the fryer to reach operating temperature. When the fryer reaches this point, the red light above the Temperature Control should go OFF.
5. Turn off the fryer conveyor.
6. Use thick heat resistant gloves as a precaution when performing the next step. The shortening is HOT. NEVER put your hand, fingers or other body parts under the shortening.
7. CAREFULLY insert the tip of your thermometer or temperature probe approximately 1” (25mm) below the surface, close to the middle of the fryer. DO NOT touch the shortening with your hand or fingers, even with gloves on.
8. Wait for the light above the Temperature Control to change from OFF to ON. Now check the temperature on your thermometer or probe. If the Thermostat is working properly, this temperature will show 370° to 375°F (188° to 190°C).
9. If not, an adjustment is needed as follows.
10. Turn off the power to the Donut Robot[®] by disconnecting the plug, OR by turning the breaker switch at the back of the fryer to the OFF position.
11. Carefully lift up the Temperature Control dial with your fingers or other implement, until it comes off.

WARNING

NEVER touch shortening when it is hot, even with gloves on. It can cause serious burns. Avoid touching the surrounding metal parts. They are HOT.

WARNING

To avoid the possibility of electric shock, disconnect or turn off the power source before adjusting the thermostat.



12. Loosen the screws that hold the Thermostat in place under the dial. (See photo above) You should NOT loosen the screws all the way, or the Thermostat might fall out.
13. If the temperature in step 6 was MORE than 375°F (190°C), rotate the Thermostat CLOCKWISE.
14. If the number you recorded in step 6 was LESS than 370°F (190°C), rotate the Thermostat COUNTER-CLOCKWISE.
15. Tighten both screws again and replace the Temperature Control dial.
16. Connect power to the Donut Robot and retest by repeating the process from Step 3 above.
17. If you are UNABLE to rotate the Thermostat far enough to make the light come on between 370° to 375°F (188° to 190°C), you should first check your Thermometer. Get a 2nd thermometer and compare the two.
18. If necessary, go back to Step 3 using the most accurate thermometer.
19. If you are still UNABLE to rotate the Thermostat far enough to make the light come on between 370° to 375°F (188° to 190°C), have a qualified technician check your fryer and if necessary replace the thermostat. The part number is listed on the wiring diagram attached to your manual.

Parts and Electrical Diagrams

Mechanical and electrical diagrams for Donut Robot® Mark II / Mark II GP models with Item Numbers 21622, 21637 and 21638 are indicated in the table below.

ABOUT ITEM NUMBERS:

All machines are identified by an Item Number. The Item Number is located on a data tag attached to the back of the control panel. You need the Item Number to identify correct parts diagrams for the fryer. When the item number is known, it should be checked off on the front cover of this manual, and also immediately below.

RECORD YOUR ITEM NUMBER BELOW:

MARK FOR YOUR FRYER	ITEM NUMBER	MODEL	PLUNGER	VOLTS	HERTZ	PHASE
<input type="checkbox"/>	21622	DONUT ROBOT® MARK II	STAR	208-240V	60 hz	1 ø
<input type="checkbox"/>	21637	DONUT ROBOT® MARK II	PLAIN	208-240V	60 hz	1 ø
<input type="checkbox"/>	21638	DONUT ROBOT® MARK II GP	PLAIN	208-240V	60 hz	1 ø

Item Numbers 21622 and 21637 are identical except: 21637 includes a Plain Plunger and 21622 includes a Star Plunger. Both plungers produce similar ring donuts; the Star plunger produces a star pattern around the hole of the donut. Both plungers can accept Dunkerette, Nugget, and Ball attachments.

INDEX TO DIAGRAMS:

DIAGRAM DESCRIPTION	PAGE
FINAL ASSEMBLY	2-3
CONVEYOR ASSEMBLY	4 (MARK II) 5 (MARK II GP)
CONVEYOR MOTOR & GEARBOX	6 (MARK II) 7 (MARK II GP)
FRYER KETTLE AND OUTER CASING	8
HEATERHEAD (CONTROL PANEL)	9, 10, 11
CUTTERHEAD (DEPOSITOR)	12-13
ELECTRICAL – OVERALL	14-15
ELECTRICAL – CONVEYOR DRIVE	16
ELECTRICAL – CUTTERHEAD (DEPOSITOR)	17
CUTTERHEAD LINKAGE	18

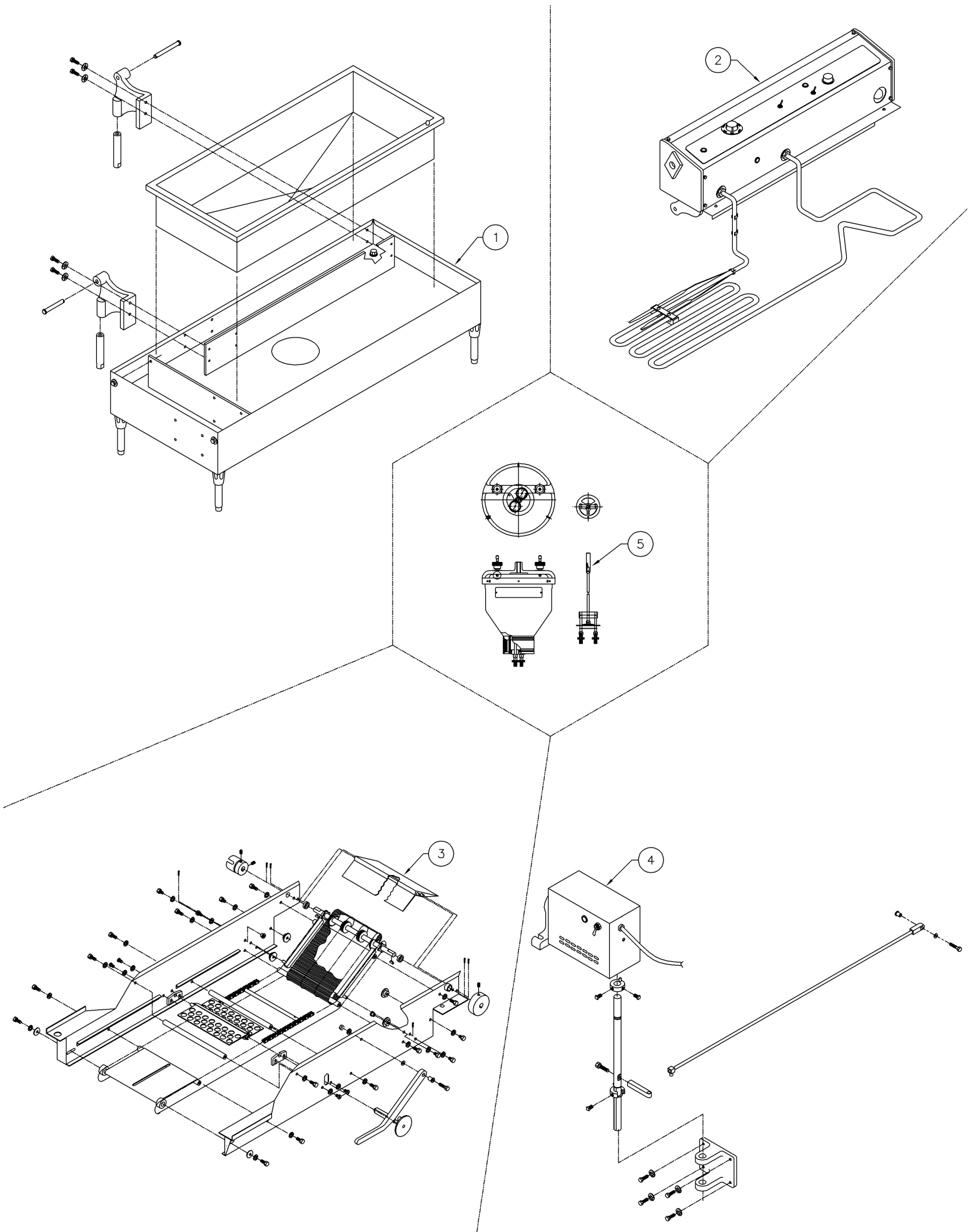


DIAGRAM: MK-2004

USE THIS DIAGRAM FOR

MODEL: Mark II, Mark II GP
ITEM NUMBER:
21622, 21637, 21638

TO IDENTIFY MODEL AND ITEM NUMBER, SEE
 DATA TAG ON CONTROL PANEL

BILL OF MATERIALS			
NO.	QTY.	PART NO.	DESCRIPTION
1	1	MK-1201	ASSY; CASE w/KETTLE (MKII) (NO HOLD DOWN)
	1	MK-1202	ASSY; CASE w/KETTLE & DRAIN (MKII) (W/HOLD DOWN)
2	1	MK-1610 OR (GP)	ASSY; HEATER HEAD; MKII; DOMESTIC, 1 PH
	1	MK-1611 OR (GP)	ASSY; HEATER HEAD; MKII; EXPORT, 1 PH
	1	MK-1621 OR (GP)	ASSY; HEATER HEAD; MKII; EXPORT, 1 PH, RVO
	1	MK-1630 OR (GP)	ASSY; HEATER HEAD; MKII; DOMESTIC, 3 PH
	1	MK-1631 OR (GP)	ASSY; HEATER HEAD; MKII; EXPORT, 3 PH, LOW/CE
	1	MK-1640 OR (GP)	ASSY; HEATER HEAD; MKII; EXPORT, 3 PH, HIGH
	1	MK-1650 OR (GP)	ASSY; HEATER HEAD; MKII; DOMESTIC, 3 PH, 440-480
3	1	MK-1000-3.00	ASSY; CONVEYOR (3.00)
	1	MK-1000-3.75	ASSY; CONVEYOR (3.75)
4	1	MK-1203A	ASSY; CUTTER HEAD w/MOUNT; DOMESTIC
	1	MK-1203C	ASSY; CUTTER HEAD w/MOUNT; EXPORT/CE
	1	MK-1203E	ASSY; CUTTER HEAD w/MOUNT; DOMESTIC; GP
	1	MK-1203F	ASSY; CUTTER HEAD w/MOUNT; EXPORT; GP
5	1	MK-1024 X 7/8	ASSY; HOPPER; 7/8, DBL MIN
		MK-1023 X 7/8	ASSY; PLUNGER; 7/8, DBL MIN
	1	MK-1024 X 1	ASSY; HOPPER; 1, DBL MIN
		MK-1023 X 1	ASSY; PLUNGER; 1, DBL MIN
	1	MK-1025 X 1 7/16	ASSY; HOPPER; 1 7/16
		U-1012S	ASSY; PLUNGER; STAR; 1 7/16
		U-1012	ASSY; PLUNGER; PLAIN; 1 7/16
	1	MK-1025 X 1 9/16	ASSY; HOPPER; 1 9/16
		U-1001S	ASSY; PLUNGER; STAR; 1 9/16
	1	U-1001	ASSY; PLUNGER; PLAIN; 1 9/16
		MK-1025 X 1 13/16	ASSY; HOPPER; 1 13/16
DR42-1136S		ASSY; PLUNGER; STAR; 1 13/16	
		DR42-1136	ASSY; PLUNGER; PLAIN; 1 13/16

OPTIONAL LINE ITEMS			
NO.	QTY.	PART NO.	DESCRIPTION
	1	MK-0557	DRAIN VALVE ASSY - STD - STRAIGHT
	1	MKVI-0547	DRAIN VALVE ASSY - 45' - LONG (TALL TABLE)
	1	MK-0557-12	DRAIN VALVE ASSY - LONG STRAIGHT (INSIDER)
	1	SM100-0507LH-42	EZ HOSE ASSY - MKII & INSIDER - 42" LG
	1	SM100-0507RH-42	SM HOSE ASSY - MKII - 30" LG
	2	MK-0228	BRKT; OUTER CASE HOLD DOWN
	1	MK6-1007	FRYER TABLE; TALL MARK II
	1	959-0016-G	DRAIN CAP - 1 1/4 NPT

WIRING DIAGRAMS

- MK-1610: MK-4210 (208/240V, 50/60 HZ, 1 PH, DOM) (CSD)
- MK-1611: MK-4200 (200/240V, 50/60 HZ, 1 PH, EXP/CE) (CSC-B)
- MK-1621: MK-4200 (240V, 50/60 HZ, 1 PH, RVO) (CSE)
- MK-1630: MK-4311 (208/240V, 50/60 HZ, 3 PH DOM) (DOD)
- MK-1631: MK-4300 (208/240V, 50/60 HZ, 3 PH, EXP/CE) (DOC-B)
- MK-1640: MK-4330 (380/400/415V, 50/60 HZ, 3 PH, EXP/CE) (ELC-B)
- MK-1650: MK-4360 (440/480V, 50/60 HZ, 3 PH, DOM) (FLD)
- MK-1660: MK-4360 (440/480V, 50/60 HZ, 3 PH, EXP) (FLB)

NOTE: PART NO.'S

MK-1610 THRU MK-1660 ARE STANDARD MODELS

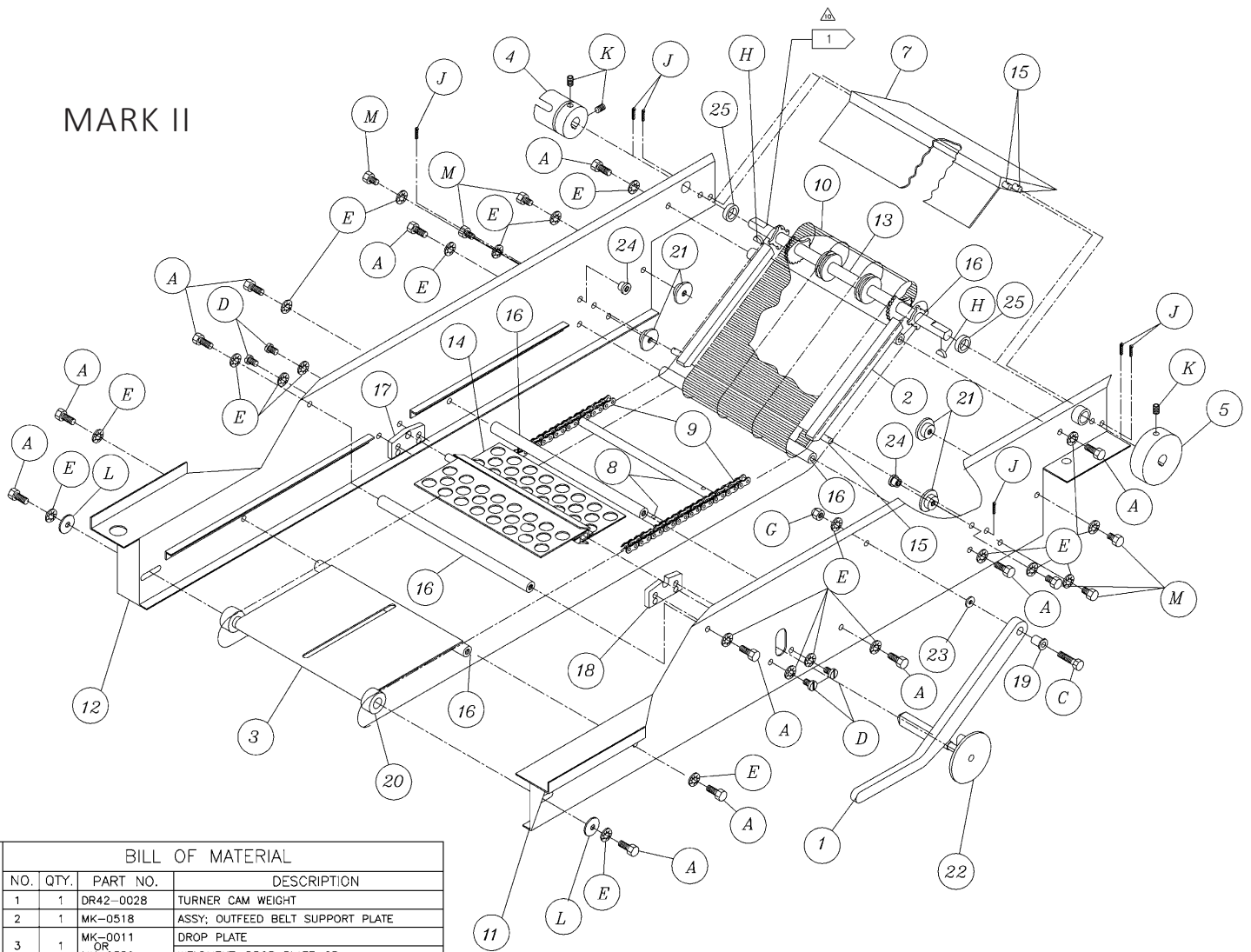
MK1610-GP THRU MK-1660GP ARE GEM PRODUCERS

SERIAL NUMBERS

- 1 PH, DOMESTIC: #W30,000-ON
- 3 PH, EXPORT/CE: #W30,000-ON
- 3 PH, DOMESTIC: #W30,050-ON
- 1 PH, EXPORT/CE: #W30,225-ON

 TOLERANCE UNLESS NOTED: X/X: ±1/32 () REFERENCE .XX: ±.030 .XXX: ±.010 ANGLE: ±1'	BELSHAW BROS., INC. SEATTLE, WASHINGTON THE INFORMATION CONTAINED IN THIS DRAWING IS THE SOLE PROPERTY OF BELSHAW BROS., INC. ANY REPRODUCTION IN PART OR WHOLE WITHOUT THE WRITTEN PERMISSION OF BELSHAW BROS., INC. IS PROHIBITED.						
	TITLE: ASSY; FINAL; MARK II; TAB						
	MATERIAL: SEE B.O.M.						
C DWC. SIZE	NTS SCALE	BLW DRAWN	LCP DATE	1/31/02 APP'D	MFG	MK-2004 DRAWING NO.	5 REV

MARK II



BILL OF MATERIAL

NO.	QTY.	PART NO.	DESCRIPTION
1	1	DR42-0028	TURNER CAM WEIGHT
2	1	MK-0518	ASSY; OUTFEED BELT SUPPORT PLATE
3	1	MK-0011	DROP PLATE
		MK-0559	WELDMENT; DROP PLATE-GP
4	1	MK-0092	CONVEYOR DRIVE COUPLING
5	1	MK-0013	SWING CONNECTOR ROD COUPLING
6			
7	1	MK-0046	EXIT CHUTE
8	18	MK-0059	FLIGHT BAR
9	2	MK-0060-3.75	FLIGHT CONVEYOR CHAIN
10	1	MKVI-0193	EXIT WIRE BELT
11	1	MK-0500	ASSEMBLY; CONVEYOR SIDE PANEL-FRONT
12	1	MK-0501	ASSEMBLY; CONVEYOR SIDE PANEL-BACK
13	1	MK-0502-3.75	ASSEMBLY; CONVEYOR DRIVE SHAFT
14	1	MK-0504	ASSEMBLY; TURNER
15	3	DR42-0009	SUPPORT SHAFT-1/4" DIA
16	5	DR42-0010	SUPPORT SHAFT-1/2" DIA
17	1	DMM-0135	TURNER SUPPORT SADDLE
18	1	DMM-0136	TURNER CAM SUPPORT SADDLE
19	2	DR42-0240	FLANGE BUSHING
20	1	MK-0521	ASSEMBLY; DROP PLATE SHAFT
21	4	C100-0501	HOLD DOWN BUTTON
22	1	634-0673	ASSEMBLY; TURNER CAM
23	1	U-0008	DIAL SCREW COLLAR
24	2	MK-0095	HOLD DOWN BUTTON
25	2	MK-0103	CONVEYOR DRIVE SHAFT SPACER

FASTENERS

A	12	903-0973SS	1/4-20 X 5/8 SCREW; HEX HEAD MACH
B			
C	1	903-1004	1/4-20 X 1 SCREW; HEX HEAD MACH
D	4	903-0962	1/4-20 X .375 SCREW; PAN HEAD SLOTTED
E	20	903-7532	1/4 WASHER; INTERNAL TOOTH LOCK
F			
G	1	903-5201.A	1/4-20 NUT; ACORN
H	2	905-0232	#404 WOODRUFF KEY
J	6	---	1/16 X 1/2 SST COTTER KEY
K	3	---	1/4-20 X .375 SET SCREW; NYLOK FLAT POINT
L	2	---	1/4 WASHER; FLAT
M	6	903-0961SS	1/4-20 X .375 SCREW; HEX HEAD MACH

DIAGRAM: MK-1000-3.75

USE THIS DIAGRAM FOR

MODEL: Mark II (not Mark II GP)
ITEM NUMBER: 21622, 21637

TO IDENTIFY MODEL AND ITEM NUMBER, SEE DATA TAG ON CONTROL PANEL

BELSHAW BROS., INC. SEATTLE, WASHINGTON

THE INFORMATION CONTAINED IN THIS DRAWING IS THE SOLE PROPERTY OF BELSHAW BROS., INC. ANY REPRODUCTION IN PART OR WHOLE WITHOUT THE WRITTEN PERMISSION OF BELSHAW BROS., INC. IS PROHIBITED.

MARK II CONV ASSY (3 3/4" SPACING)

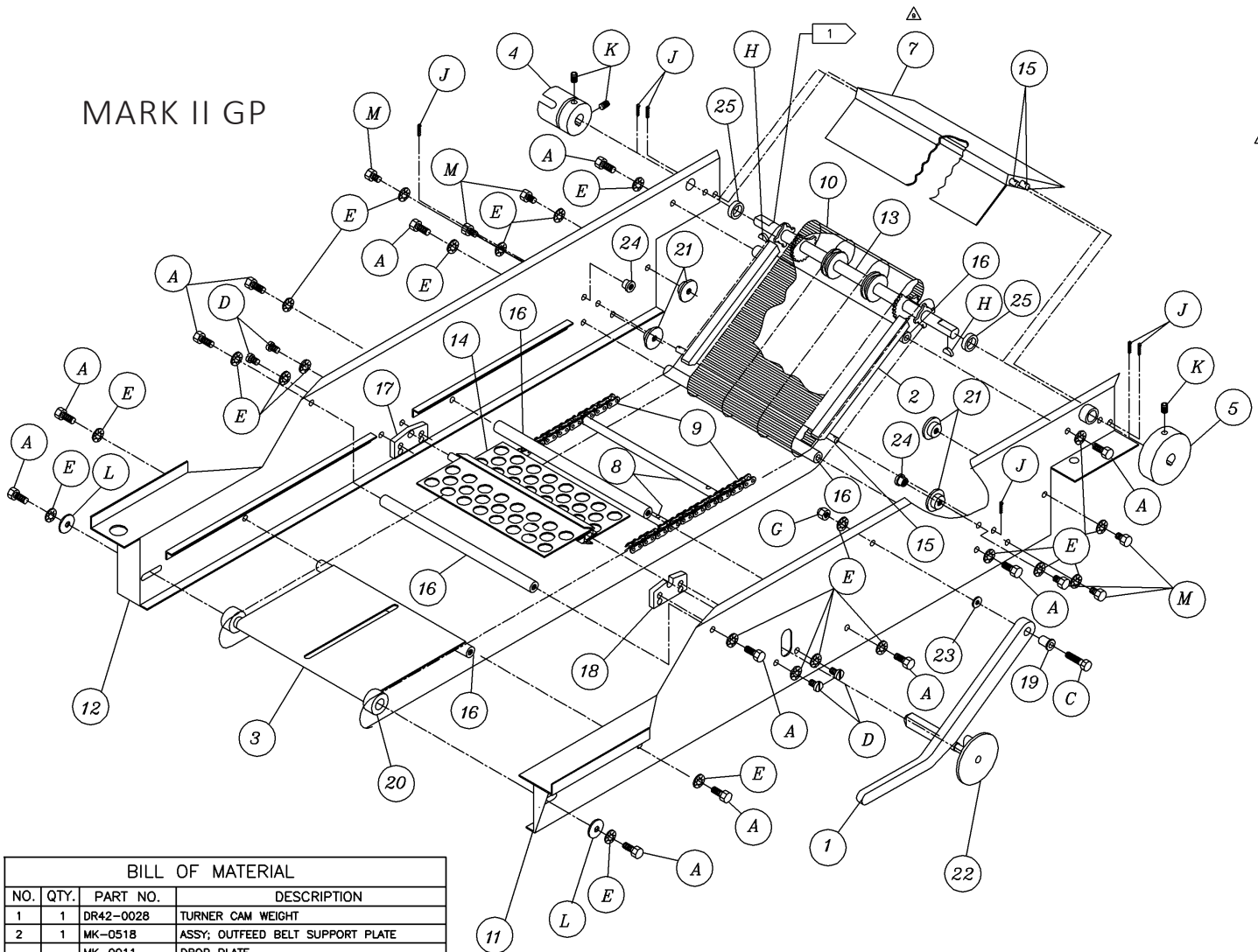
TITLE:

SEE B.O.M.

MATERIAL:

1:4	CC	10/16/95	APP'D	MFG	MK-1000-3.75	10
SCALE	DRAWN	DATE			DRAWING NO.	REV

MARK II GP



BILL OF MATERIAL

NO.	QTY.	PART NO.	DESCRIPTION
1	1	DR42-0028	TURNER CAM WEIGHT
2	1	MK-0518	ASSY; OUTFEED BELT SUPPORT PLATE
3	1	MK-0011 DR MK-0559	DROP PLATE WELDMENT; DROP PLATE-GP
4	1	MK-0092	CONVEYOR DRIVE COUPLING
5	1	MK-0013	SWING CONNECTOR ROD COUPLING
6			
7	1	MK-0046	EXIT CHUTE
8	23	MK-0059	FLIGHT BAR
9	2	MK-0060-3.00	FLIGHT CONVEYOR CHAIN
10	1	MKV-0193	EXIT WIRE BELT
11	1	MK-0500	ASSEMBLY; CONVEYOR SIDE PANEL-FRONT
12	1	MK-0501	ASSEMBLY; CONVEYOR SIDE PANEL-BACK
13	1	MK-0502-3.00	ASSEMBLY; CONVEYOR DRIVE SHAFT
14	1	MKV-0510	ASSEMBLY; TURNER
15	3	DR42-0009	SUPPORT SHAFT-1/4" DIA
16	5	DR42-0010	SUPPORT SHAFT-1/2" DIA
17	1	DMM-0135	TURNER SUPPORT SADDLE
18	1	DMM-0136	TURNER CAM SUPPORT SADDLE
19	1	DR42-0240	FLANGE BUSHING
20	1	MK-0521	ASSEMBLY; DROP PLATE SHAFT
21	4	C100-0501	HOLD DOWN BUTTON
22	1	634-0673	ASSEMBLY; TURNER CAM
23	1	U-0008	DIAL SCREW COLLAR
24	2	MK-0095	HOLD DOWN BUTTON
25	2	MK-0103	CONVEYOR DRIVE SHAFT SPACER

FASTENERS

A	12	903-0973SS	1/4-20 X 5/8 SCREW; HEX HEAD MACH
B			
C	1	903-1004	1/4-20 X 1 SCREW; HEX HEAD MACH
D	4	903-0962	1/4-20 X .375 SCREW; PAN HEAD SLOTTED
E	20	903-7532	1/4 WASHER; INTERNAL TOOTH LOCK
F			
G	1	903-5201.A	1/4-20 NUT; ACORN
H	2	905-0232	#404 WOODRUFF KEY
J	6	---	1/16 X 1/2 SST COTTER KEY
K	3	---	1/4-20 X .375 SET SCREW; NYLOK FLAT POINT
L	2	---	1/4 WASHER; FLAT
M	6	903-0961SS	1/4-20 X .375 SCREW; HEX HEAD MACH

DIAGRAM: MK-1000-3.75

USE THIS DIAGRAM FOR

MODEL: Mark II GP (not Mark II)
ITEM NUMBER: 21638

TO IDENTIFY MODEL AND ITEM NUMBER, SEE
 DATA TAG ON CONTROL PANEL

		SEATTLE, WASHINGTON	
		<small>THE INFORMATION CONTAINED IN THIS DRAWING IS THE SOLE PROPERTY OF BELSHAW BROS., INC. ANY REPRODUCTION IN PART OR WHOLE WITHOUT THE WRITTEN PERMISSION OF BELSHAW BROS., INC. IS PROHIBITED.</small>	
MARK II CONV ASSY (3" SPACING)			
TITLE: SEE B.O.M.			
MATERIAL: ---			
1:4	CC	10/16/95	10
SCALE	DRAWN	DATE	REV
	APP'D	MFG	MK-1000-3.00
			DRAWING NO.

DIAGRAM: MKVI-1120

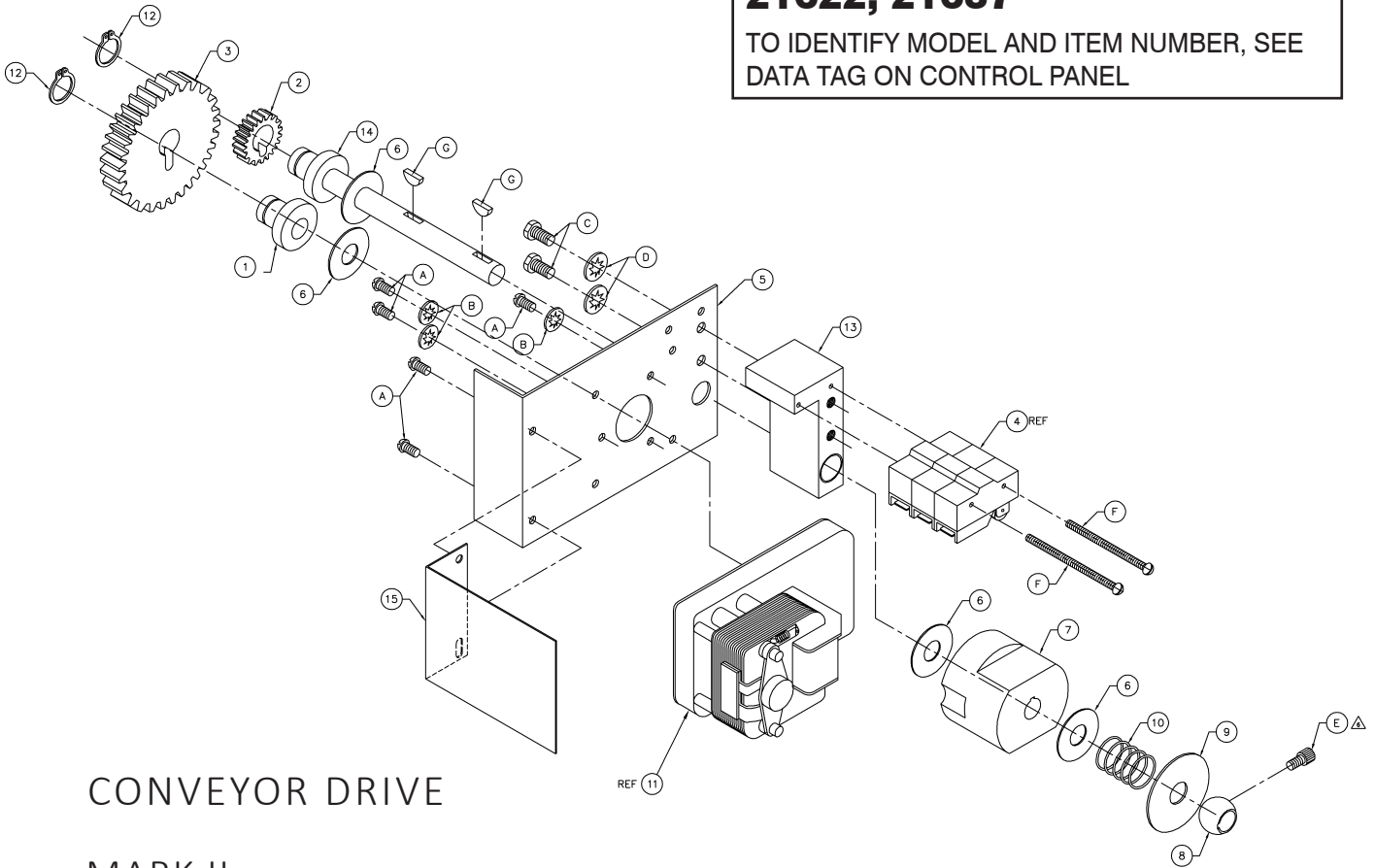
USE THIS DIAGRAM FOR

MODEL: Mark II (not Mark II GP)

ITEM NUMBER:

21622, 21637

TO IDENTIFY MODEL AND ITEM NUMBER, SEE DATA TAG ON CONTROL PANEL



CONVEYOR DRIVE

MARK II

BILL OF MATERIAL

ITEM	QTY.	PART NO	DESCRIPTION
1	1	MKDW-0508	CHANGE GEAR COLLAR
2	1	DR42-0045-20S	CRS CHANGE GEAR-20 TOOTH
3	1	DR42-0045-30S	CRS CHANGE GEAR-30 TOOTH
4	REF		MICROSWITCH
5	1	MK-0205	CONVEYOR DRIVE MOUNTING PLATE
6	4	DR42-0157	FIBER WASHER
7	1	MK-0019	SIGNAL CAM
8	1	MK-0045	MAIN DRIVE SHAFT COUPLING
9	1	MK-0067	SEALING PLATE
10	1	MK-0068	SEALING PLATE PRESSURE SPRING
11	REF		BRAKE MOTOR, 115V., 50/60HZ., 8 RPM
12	2	MK-0105	SNAP RING
13	1	MKVI-0019	DRIVE SHAFT BEARING BLOCK
14	1	MK-0607	MAIN DRIVE SHAFT ASSEMBLY
15	1	MK-0238	FAN STOP GUARD
16	1	MK-1720	ELEC. ASSY CONVEYOR DRIVE
FASTENERS			
A	5	903-0528	#10-32 X 3/8 SCREW; SLOTTED RD HEAD MACH
B	3	903-7512	#10 INTERNAL TOOTH LOCK WASHER
C	2	903-0970	1/4-20 X 1/2 SCREW; HEX HEAD MACH
D	2	903-7532	1/4 INTERNAL TOOTH LOCK WASHER
E	1	903-0963	1/4-20 X 3/8 SCREW; SOCKET HEAD MACH
F	2	---	6-32 X 2 1/2 CREW; RD HEAD MACH
G	2	---	#404 WOODRUFF KEY
H			

TO BE USED ON:

- MKIIIG: W170-ON
- MKII: W31,000-ON
- MKV: W1,200-ON
- MKVI: W1,000-ON
- MKIX: W211-ON

BELSHAW BROS., INC. SEATTLE, WASHINGTON

THE INFORMATION CONTAINED IN THIS DRAWING IS THE SOLE PROPERTY OF BELSHAW BROS., INC. ANY REPRODUCTION IN PART OR WHOLE WITHOUT THE WRITTEN PERMISSION OF BELSHAW BROS., INC. IS PROHIBITED.

ASSEMBLY; CONVEYOR DRIVE; STD (DOMESTIC/EXPORT)

TITLE:

SEE B.O.M.

MATERIAL:

1:2 SCALE	RG DRAWN	9/14/99 DATE	WB APP'D	MFG	MKVI-1120 DRAWING NO.	6 REV
--------------	-------------	-----------------	-------------	-----	--------------------------	----------

DIAGRAM: MKVI-1120

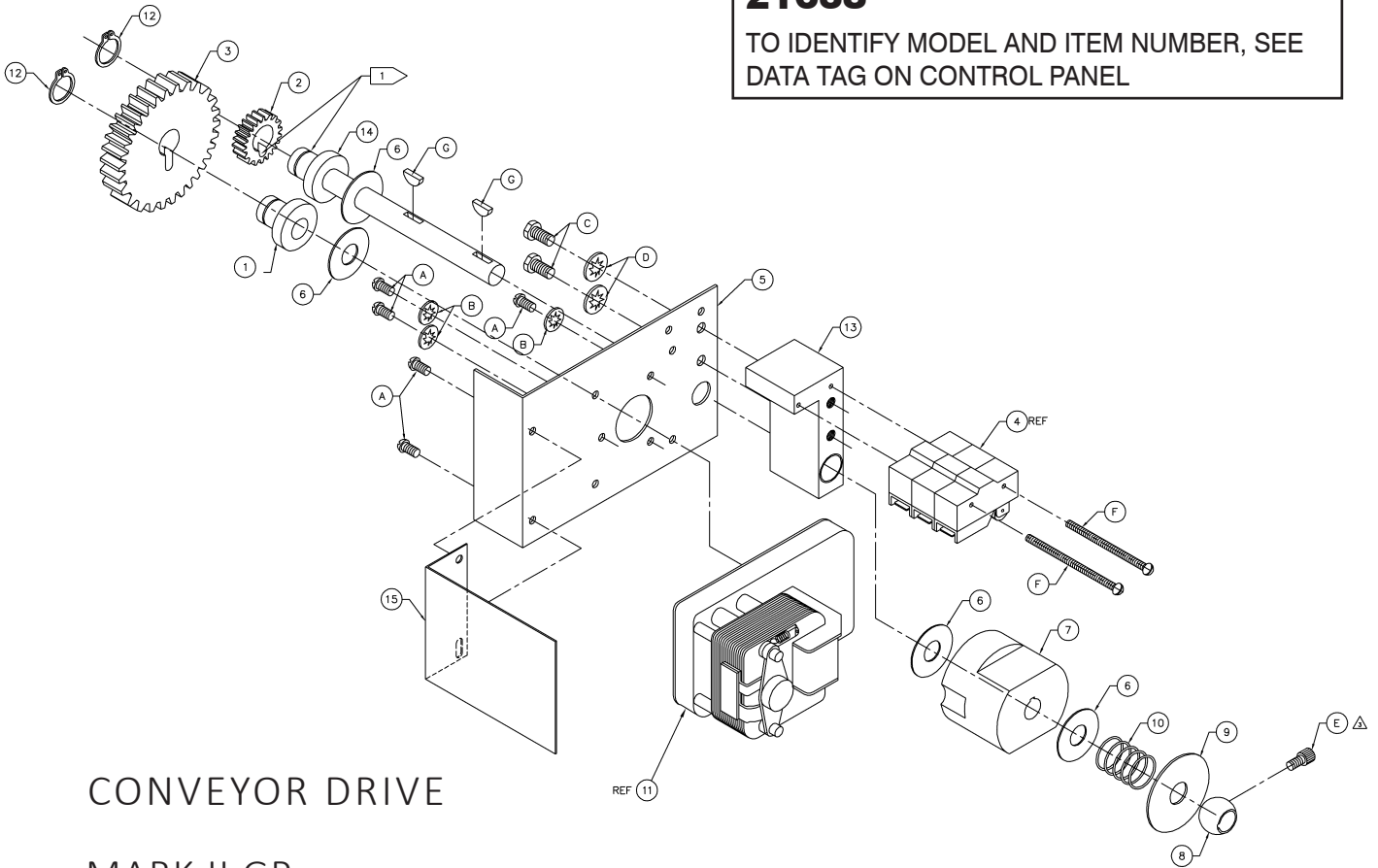
USE THIS DIAGRAM FOR

MODEL: Mark II (not Mark II)

ITEM NUMBER:

21638

TO IDENTIFY MODEL AND ITEM NUMBER, SEE DATA TAG ON CONTROL PANEL



CONVEYOR DRIVE

MARK II GP

BILL OF MATERIAL

ITEM	QTY.	PART NO	DESCRIPTION
1	1	MKDW-0508	CHANGE GEAR COLLAR
2	1	DR42-0045-13S	CRS CHANGE GEAR-13 TOOTH
3	1	DR42-0045-37S	CRS CHANGE GEAR-37 TOOTH
4	REF		MICROSWITCH
5	1	MK-0205	CONVEYOR DRVIE MOUNTING PLATE
6	4	DR42-0157	FIBER WASHER
7	1	MK-0019	SIGNAL CAM
8	1	MK-0045	MAIN DRIVE SHAFT COUPLING
9	1	MK-0067	SEALING PLATE
10	1	MK-0068	SEALING PLATE PRESSURE SPRING
11	REF		BRAKE MOTOR, 115V., 50/60HZ., 8 RPM
12	2	MK-0105	SNAP RING
13	1	MKVI-0019	DRIVE SHAFT BEARING BLOCK
14	1	MK-0607	MAIN DRIVE SHAFT ASSEMBLY
15	1	MK-0238	FAN STOP GUARD
16	1	MK-1720	ELEC. ASSY CONVEYOR DRIVE
FASTENERS			
A	5	903-0528	#10-32 X 3/8 SCREW; SLOTTED RD HEAD MACH
B	3	903-7512	#10 INTERNAL TOOTH LOCK WASHER
C	2	903-0970	1/4-20 X 1/2 SCREW; HEX HEAD MACH
D	2	903-7532	1/4 INTERNAL TOOTH LOCK WASHER
E	1	903-0963	1/4-20 X 3/8 SCREW; SOCKET HEAD MACH
F	2	---	6-32 X 2 1/2 CREW; RD HEAD MACH
G	2	---	#404 WOODRUFF KEY
H			

USE ON SERIAL #:

MKIIG-GP: W170-ON
 MKII-GP: W31,000-ON
 MKV-GP: W1,200-ON
 MKIX-GP: W211-ON

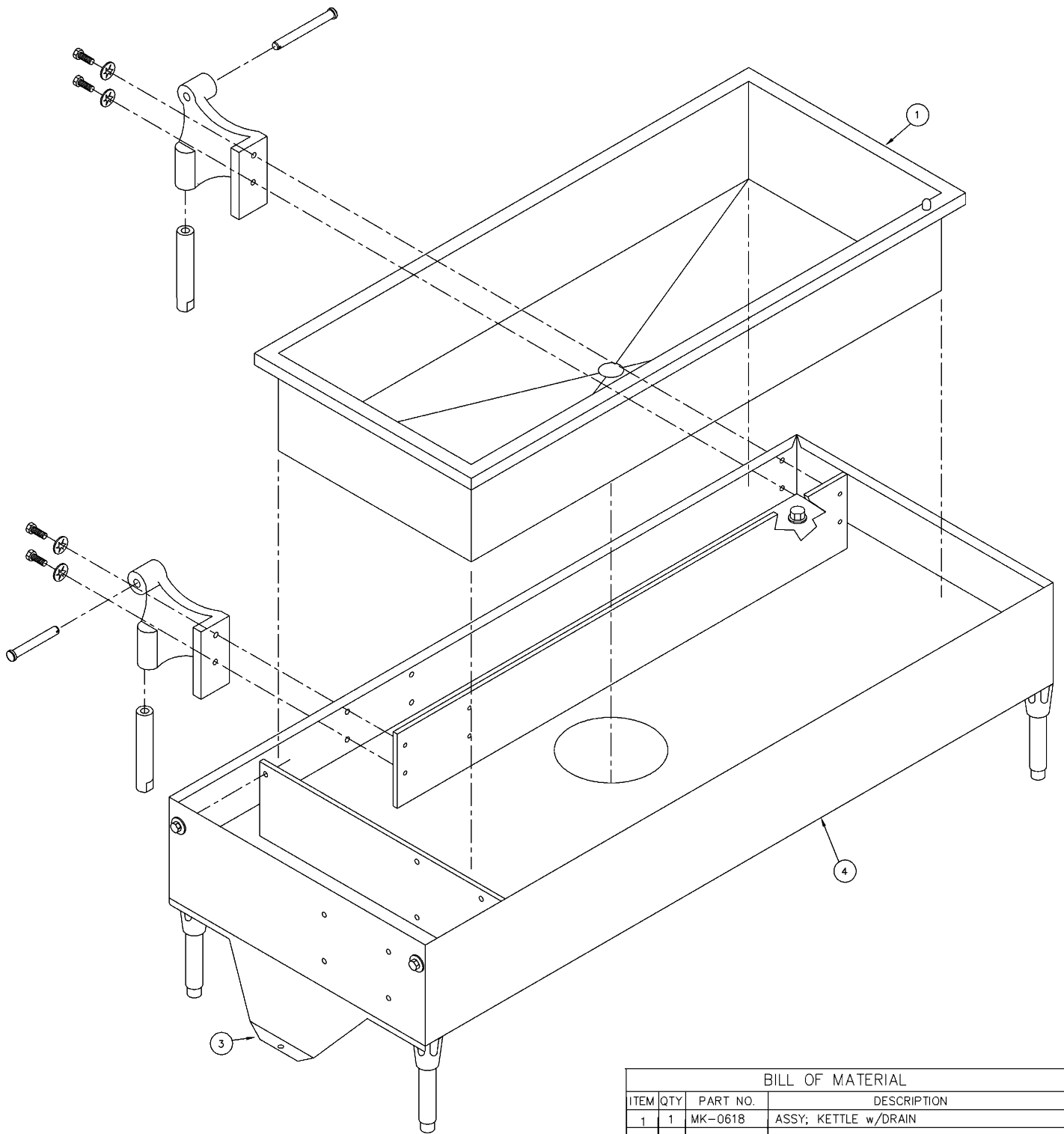
BELSHAW BROS., INC. SEATTLE, WASHINGTON

THE INFORMATION CONTAINED IN THIS DRAWING IS THE SOLE PROPERTY OF BELSHAW BROS., INC. ANY REPRODUCTION IN PART OR WHOLE WITHOUT THE WRITTEN PERMISSION OF BELSHAW BROS., INC. IS PROHIBITED.

ASSEMBLY; CONVEYOR DRIVE; GP (DOMESTIC/EXPORT)

SEE B.O.M.

MATERIAL:	1:2	BW	3/15/02	LCP	MFG	MKVI-1120GP	3
	SCALE	DRAWN	DATE	APP'D		DRAWING NO.	REV



BILL OF MATERIAL			
ITEM	QTY	PART NO.	DESCRIPTION
1	1	MK-0618	ASSY; KETTLE w/DRAIN
2			
3	2	MK-0228	BRKT; OUTER CASE HOLD DOWN
4	1	MK-1200	ASSY; FRYER CASE
5	1	959-0016-G	DRAIN CAP (NOT SHOWN)

USE THIS DIAGRAM FOR DIAGRAM: MK-1202

MODEL: Mark II, Mark II GP

ITEM NUMBER:

21622, 21637, 21638

TO IDENTIFY MODEL AND ITEM NUMBER, SEE DATA TAG ON CONTROL PANEL

BELSHAW BROS., INC.					
SEATTLE, WASHINGTON					
ASSY; CASE & KETTLE Δ					
TITLE:					
SEE BILL OF MATERIAL					
MATERIAL:					
C	1:4	BW	LCP	1/31/02	DRAWING NO.: MK-1202
SIZE:	SCALE:	DRAWN:	APP'D.:	DATE:	

DIAGRAM: MK-1110

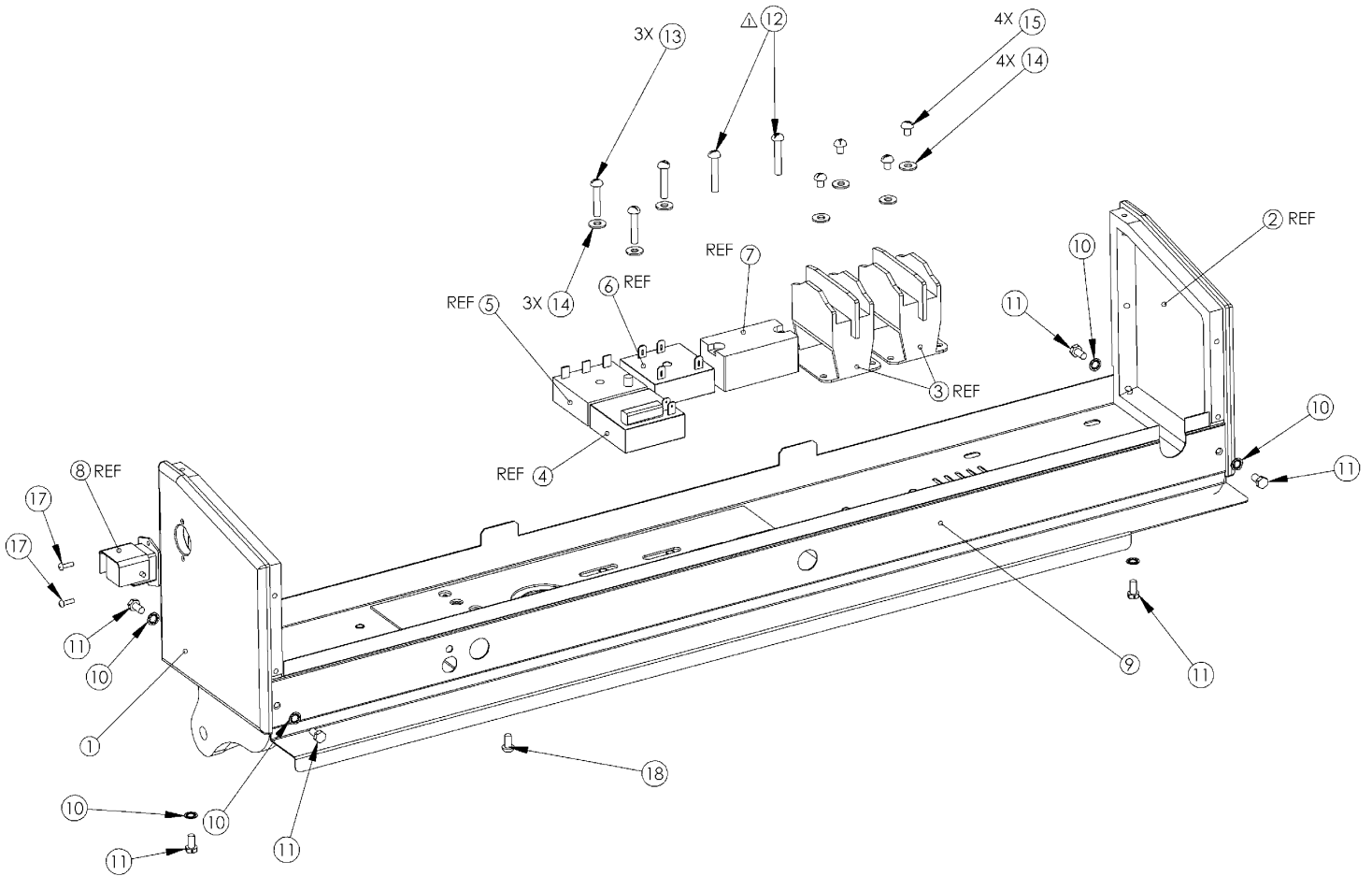
USE THIS DIAGRAM FOR

MODEL: Mark II, Mark II GP

ITEM NUMBER:

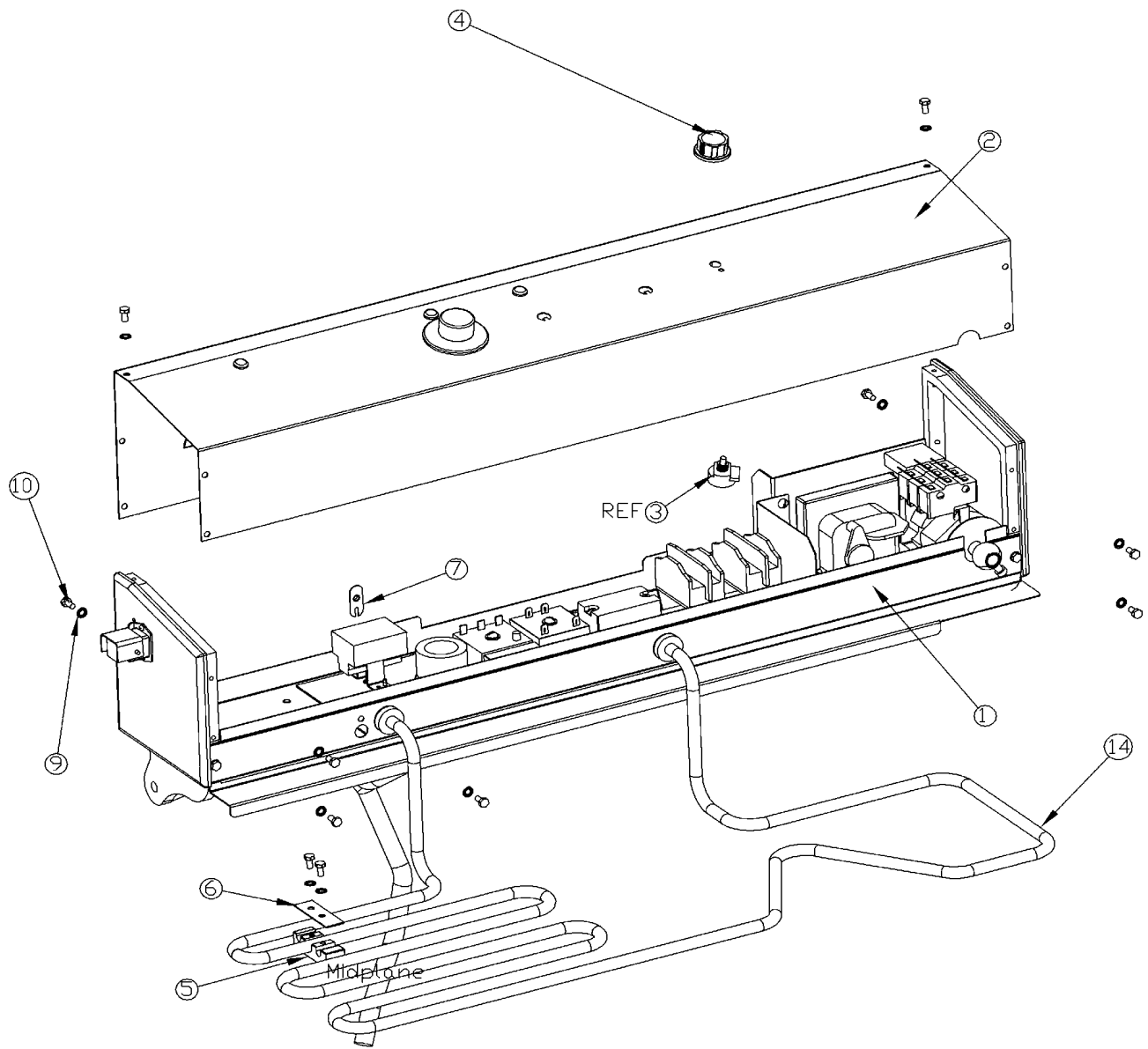
21622, 21637, 21638

TO IDENTIFY MODEL AND ITEM NUMBER, SEE DATA TAG ON CONTROL PANEL



ITEM NO.	QTY.	PART NO.	DESCRIPTION
1	1	MK-0272	HEATER HEAD END CAP - L.H. (MACHINE)
2	1	MK-0273	HEATER HEAD END CAP - R.H. (MACHINE)
3	REF		CONTACTOR
4	REF		TIME DELAY BUZZER
5	REF		TIME DELAY RELAY; INTERVAL .1-10sec
6	REF		TIMER
7	REF		TERMINAL BLOCK, 3 POLE
8	REF		PANEL MOUNT SOCKET ASSEMBLY
9	1	MK-0730-1	HEATER HEAD BOTTOM SUB, 1 PHASE
10	6	903-7513	#10 SS INTERNAL TOOTH LOCK WASHER
11	6	903-0501SS	#10-24 x .375 SS Hex Head Machine Screw
12	2	#10-24 x 1.125 Slotted Round Head Machine Screw	
13	3	#10-24 x 1.00 Slotted Round Head Machine Screw	
14	7	903-7513	#10 SS FLAT WASHER
15	4	#10-24 x .250 Slotted Pan Head Machine Screw	
16			
17	2	# 4-40 x .375 Slotted Round Machine Screw	
18	1	#10-24 x .375 Security Screw	

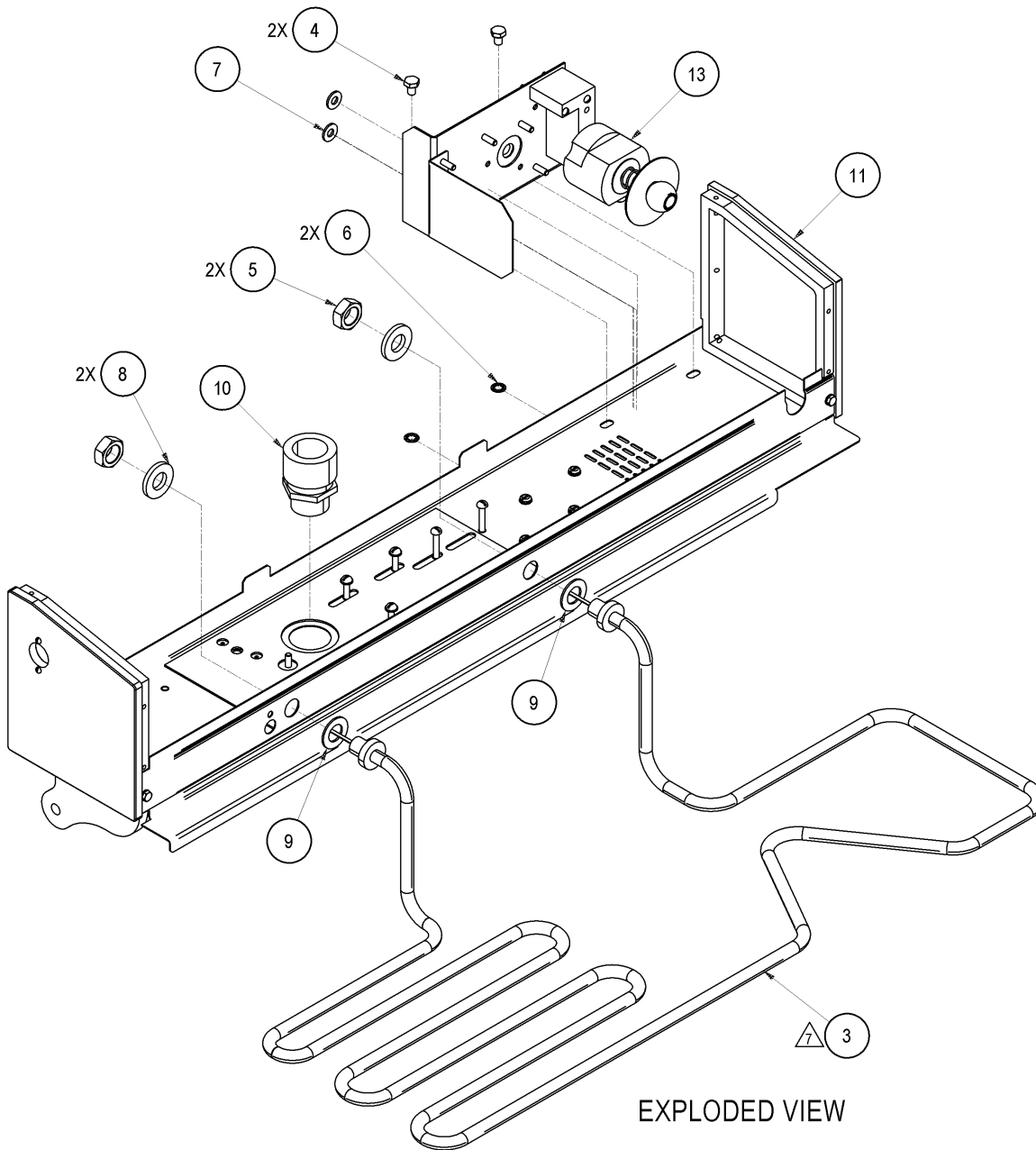
BELSHAW BROTHERS., INC.		
SEATTLE, WASHINGTON		
TITLE: HEATER HEAD BOTTOM ASSEMBLY, 1 PHASE		
MATERIAL: SEE B.O.M.		
REV. C	DWG. NO.: MK-1110	REV. 4



ITEM NO.	QTY.	PART NO.	DESCRIPTION
1	1	MK-0740	POWER ASSEMBLY, DOMESTIC, 230V 30A 1 PH
OPT. 1	1	MK-0740GP	POWER ASSEMBLY, DOMESTIC, 230V 30A 1 PH (GEM PRODUCER)
2	1	MK-1100	HEATER HEAD TOP DOMESTIC
3	REF		POTENTIOMETER ASSEMBLY
4	1	634-0234	KNOB
5	1	MK-0274	CLAMP, BULB BRACKET, UNIVERSAL
6	1	MK-0275	BULB CLAMP TOP
7	1	MK-0276	CAPILLARY TUBE COVER
8			
9	1	903-7513	#10-55 INTERNAL TOOTH LOCK WASHER
10	1	903-0501SS	#10-24x.375 SS 11x1 Lead Machine Screw
11			
13	1	MK-0189	LABEL, MKII, FRY TIME
13	1	MK-0166	LABEL, MK-GP, FRY TIME
14	1	MK-1711	F.F.C. ASSY, MKII
15	2	MK-0282-1	INSULATOR, ELEMENT TERMINAL
16	1	904-0518	LABEL, HTR HDKIT, DOM, MK

DIAGRAM: MK-1610
 USE THIS DIAGRAM FOR
MODEL: Mark II, Mark II GP
ITEM NUMBER:
21622, 21637, 21638
 TO IDENTIFY MODEL AND ITEM NUMBER, SEE
 DATA TAG ON CONTROL PANEL

BELSHAW BROTHERS., INC. SEATTLE, WASHINGTON		
TITLE: HEATER HEAD ASS'Y; MKII 208/240V, 60HZ, 1PH, DOM. (TAB)		
MATERIAL: SEE B.O.M.		
SIZE C	DWG. NO: MK-1610	REV. 5



EXPLODED VIEW

DIAGRAM: MK-0740

USE THIS DIAGRAM FOR

MODEL: Mark II, Mark II GP

ITEM NUMBER:

21622, 21637, 21638

TO IDENTIFY MODEL AND ITEM NUMBER, SEE DATA TAG ON CONTROL PANEL

BILL OF MATERIAL			
ITEM	QTY	PART NUMBER	DESCRIPTION
1	REF	--	HIGH LIMIT, PANEL MOUNT
2	REF	--	POWER CORD
3	REF	--	HEATER ELEMENT
4	2	903-0961SS	SST, 1/4-20 X 0.375 HEX HEAD MACHINE SCREW
5	2	903-5320	NUT, 1 1/8-12 SST JAM
6	2	903-7529	WASHER, INTERNAL TOOTH LOCK, 1/4 SST
7	2	903-7530SS	SST, 1/4 FLAT WASHER, REGULAR
8	2	903-7600	5/8 SST FLAT WASHER, SAE
9	2	903-7611	5/8 ID X 1-1/8 OD INSUL WASHER
10	1	992-0024	SHC-1041 CORD CLAMP, .625-.750
11	1	MK-1110	HTR HEAD BOTTOM ASSY, 1 PH
12	1	MK-4314	WD MKII&V 208-40 5/6 1 DOM CSD
13	1	MKVI-1120	CONV DRIVE ASSY DOM/EXP

Belshaw			
<small>BELSHAW BROTHERS INC., SEATTLE, WASHINGTON</small>			
TITLE: POWER ASSY; DOMESTIC 230V, 30A, 1PH			
MATERIAL: SEE B.O.M.			
SIZE A/C	SHEET 1 of 1	DRAWING NUMBER MK-0740	REV 7

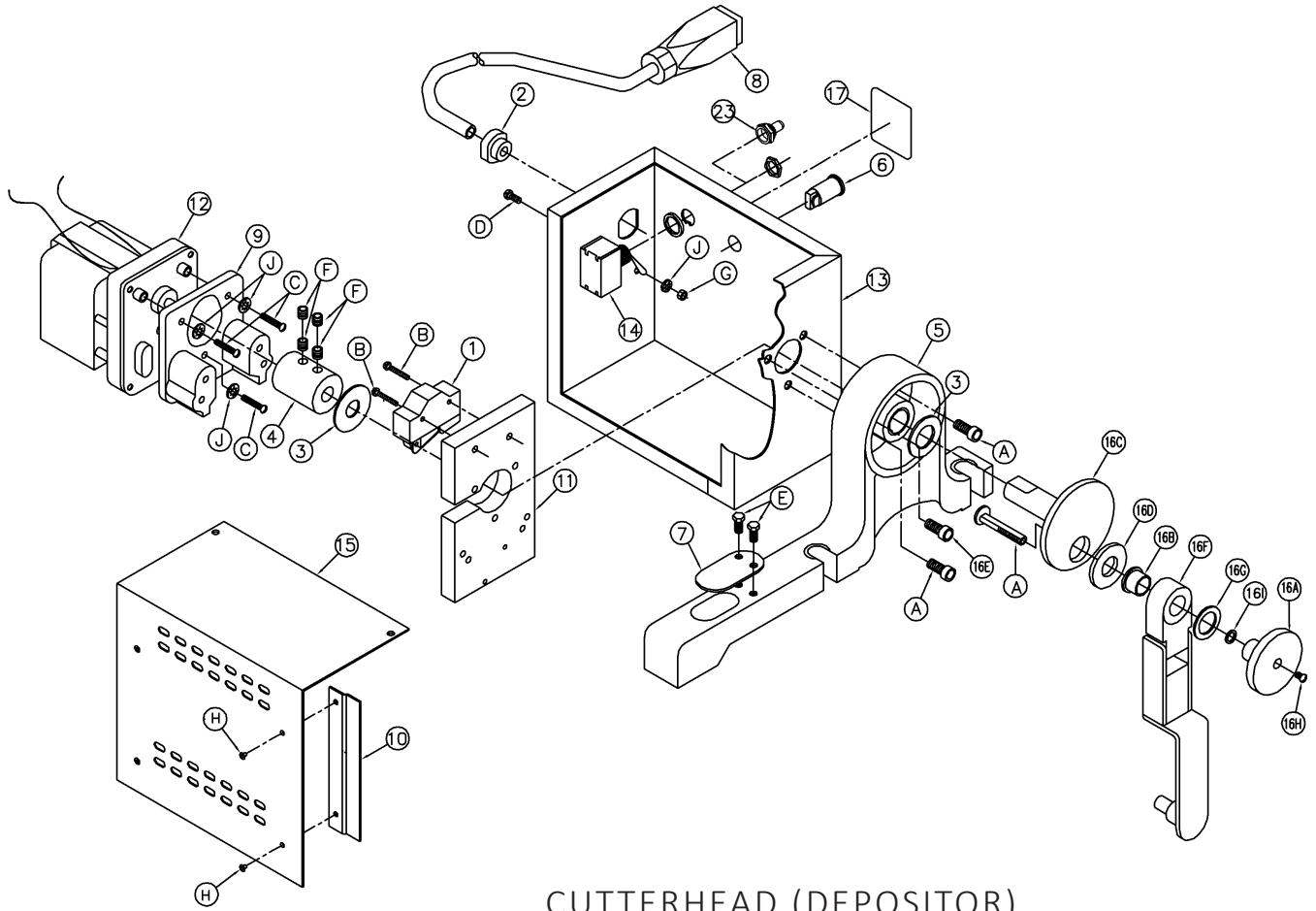
DIAGRAM: MK-1044

USE THIS DIAGRAM FOR

MODEL: Mark II, Mark II GP

ITEM NUMBER: 21622, 21637, 21638

TO IDENTIFY MODEL AND ITEM NUMBER, SEE DATA TAG ON CONTROL PANEL



CUTTERHEAD (DEPOSITOR)

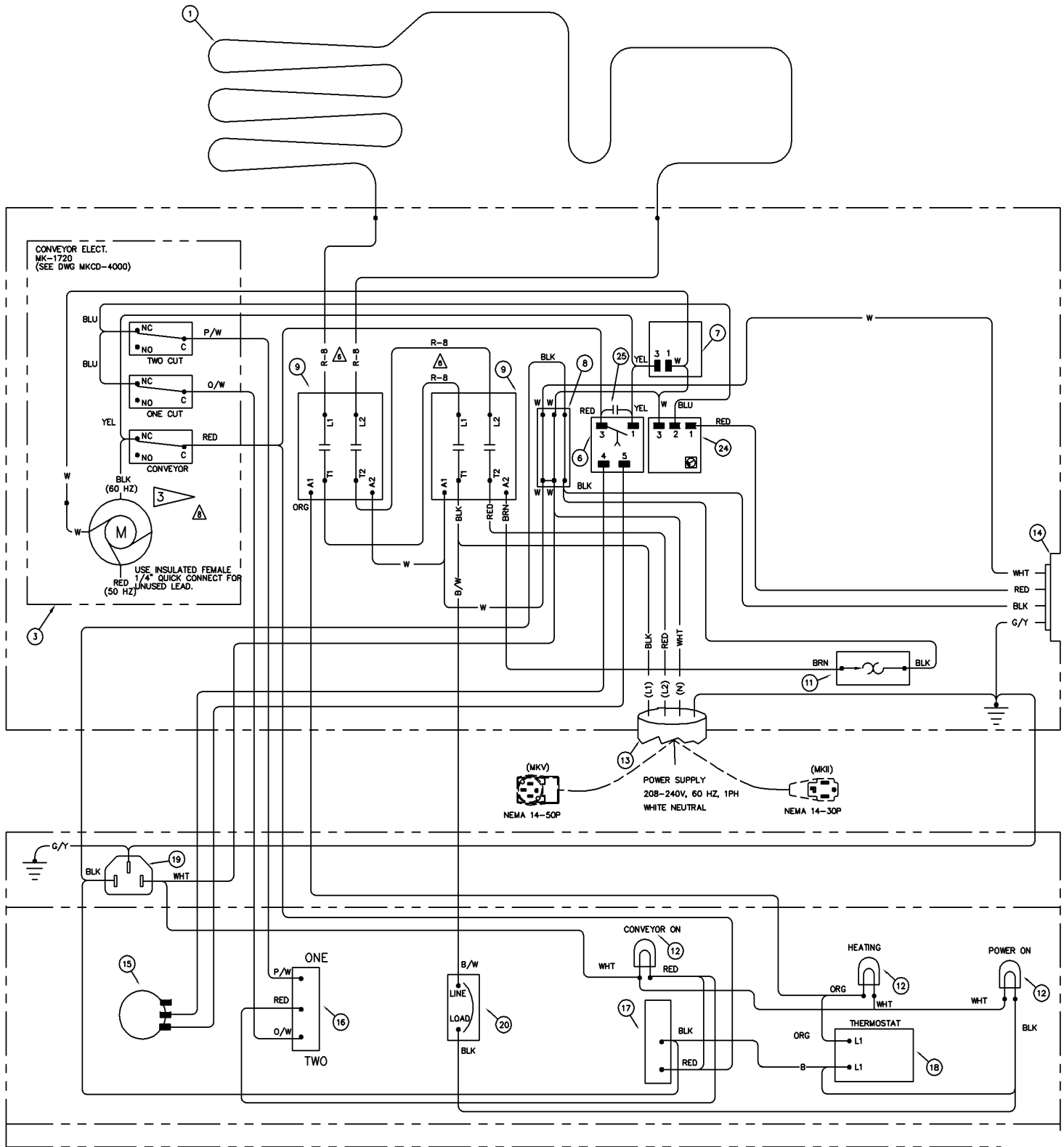
PART NO.	DESCRIPTION	REFERENCE	USED IN
MK-1044A	DOMESTIC, GP, 50 RPM	WAS MKV-1014	MK-1203A & B; DMM-2000GP; MKI, II & V
MK-1044B	EXPORT/CE, GP, 50 RPM	WAS MKV-1013	MK-1203C & D; DMM-2000GP; MKI, II & V
MK-1044C	DOMESTIC, 26 RPM	WAS MKV-1015	OBS USE MK-1044A
MK-1044D	EXPORT/CE, 26 RPM	WAS MKV-1016	OBS USE MK-1044B
MK-1044E	DOMESTIC, 50 RPM	--	MKIIG-2001
MK-1044F	EXPORT/CE, 50 RPM	--	MKIIG-2001
MK-1044G	DOM/EXP/CE, 26RPM	--	DMM-2001 (MKI)

BILL OF MATERIAL							
ITEM NO.	QTY A	QTY B	QTY E	QTY F	QTY G	PART NO.	DESCRIPTION
1	REF	REF			REF	DR42-0048	MICROSWITCH
2	1	1	1	1	1	992-0052	CORD CLAMP, NYLON, .170-.450
3	1	1	1	1	1	DR42-0157	FIBER WASHER
4	1	1	1	1	1	MKV-0103	CAM
5	1	1	1	1	1	MK-0025	BEARING STRUT
6	REF	REF	REF	REF	REF	PLT-0002	PILOT LIGHT, YELLOW
7	1	1	1	1	1	MK-0071	COVER PLATE
8	REF					MK-0606-4	SIGNAL CORD
8		REF			REF	PLG-0500-4	CUTTER HEAD SIGNAL CORD ASSEMBLY
9	1	1	1	1	1	MK-0210	MOTOR MOUNTING PLATE - CLUTCH
10	2	2	2	2	2	MK-0212	CUTTER HEAD ENCLOSURE STIFFENER
11	1	1	1	1	1	MK-0215	MOTOR MOUNTING PLATE
12	REF	REF	REF	REF		MTR-0065	BRAKE MTR, CONE BRK-115V, 50 RPM, DOM/EXP/CE
12		X				MTR-0010	BRAKE MOTOR ASSEMBLY-115V, 50 RPM, EXPORT/CE
12	X					MK-0155	BRAKE MOTOR ASSEMBLY-115V, 50 RPM, DOMESTIC
12						MK-0065	BRAKE MOTOR ASSEMBLY-115V, 26 RPM, DOMESTIC
12					REF	MTR-0009	BRAKE MOTOR ASSEMBLY-115V, 26 RPM, EXPORT
13	1	1	1	1	1	MK-0616	CUTTER HEAD ENCLOSURE ASSEMBLY
14	REF					MKV-0010	MOMENTARY CONTACT TOGGLE SWICH
14		REF			REF	SWT-0001	TOGGLE SWITCH
15	1	1	1	1	1	MKV-0101	CUTTER HEAD ENCLOSURE COVER
16	1	1	1	1	1	U-1013	POWER CRANK ASSY(INCLUDE ITEM 16A-16I)
16A	1	1	1	1	1	U-0004	DIAL LOCK
16B	1	1	1	1	1	U-0007	SLEEVE BEARING
16C	1	1	1	1	1	U-0020	CRANK SHAFT ASSEMBLY
16D	1	1	1	1	1	U-0048	DIAL
16E	1	1	1	1	1	U-0049	DIAL SCREW
16F	1	1	1	1	1	U-1006	CONNECTING ROD ASSEMBLY
16G	1	1	1	1	1	903-7526	3/16 FLAT WASHER STANDARD CUT
16H	1	1	1	1	1	903-0301	6-32 X 1/4 SLOTD TRUSS HEAD MACH SCR
16I	1	1	1	1	1	MKV-0121	WASHER; CONICAL
17	1	1	1	1	1	D42-0049F-P	FAN, GEARMOTOR
18							
19	1					MK-1700	ELEC. COMP. CUTTER HEAD DOM. MKII & MKV
19		1				MK-1704	ELEC. COMP. CUTTER HEADAZ/NZ. MKII & MKV
19			1			MK-1700-1	ELEC. COMP. CUTTER HEAD MKIIG DOM.
19				1		MK-1700CE-1	ELEC. COMP. CUTTER HEAD MKIIG EXP.
19					1	MK-1700DMM	ELEC. COMP. CUTTER HEAD MKI DOM/EXP/CE
20	1		1		1	904-0520	LABEL, CUTTER HD KIT, DOM, MK
20		1		1		904-0521	LABEL, CUTTER HD KIT, EXP/CE, MK
21					1	MK-0187	LABEL, WARNING - SHOCK
22					1	LBL-0002	LABEL, CE
23		1				DR42-0339	MUTIPLEX SEAL (TOGGLE SWITCH) AMP/HEXSEAL

FASTENERS

ITEM NO.	QTY A	QTY B	QTY E	QTY F	QTY G	PART NO.	DESCRIPTION
A	3	3	3	3	3	903-0519	10-24 X 1/2 SOCKET CAP SCREW
B	2	2	2	2	2	903-0380	6-32 X 1 ROUND HEAD MACHINE SCREW
C	3	3	3	3	3	903-0710	10-32 X 1/2 ROUND HEAD SLOTTED MACHINE SCREW
D	1	1	1	1	1	903-0504	10-24 X 3/8 SECURITY SCREW
E	2	2	2	2	2	903-0501	10-24 X 3/8 HEX HEAD MACHINE SCREW
F	4	4	4	4	4	903-0950	1/4-20 X 1/8 HOLLOW POINT SET SCREW
G	1	1	1	1	1	903-5100	10-24 HEX NUT
H	4	4	4	4	4	903-0703	RIVET
J	4	4	4	4	4	903-7512	#10 INTERNAL TOOTH LOCKWASHER

BELSHAW BROS., INC. SEATTLE, WASHINGTON <small>THE INFORMATION CONTAINED IN THIS DRAWING IS THE SOLE PROPERTY OF BELSHAW BROS., INC. ANY REPRODUCTION IN PART OR WHOLE WITHOUT THE WRITTEN PERMISSION OF BELSHAW BROS., INC. IS PROHIBITED.</small>					
TITLE: ASSY; CUTTER HEAD; TABULATED					
MATERIAL: SEE B.O.M.					
1:4 SCALE	BW DRAWN	7/17/01 DATE	LCP APP'D	MFG	MK-1044 DRAWING NO.
					14 REV



DATA TAG

MKII		MKV	
VOLTS	208/220/230/240	VOLTS	208/220/230/240
HERTZ	50/60	HERTZ	50/60
PHASE	1	PHASE	1
KW	4.4/4.9/5.3/5.8	KW	6.9/7.6/8.3/9.1
AMPS	21/22.1/23/24	AMPS	33/34.8/36.2/37.7

NOTES:

1. USE 105°C MACHINE TOOL WIRE
 2. ALL WIRES ARE 18 AWG EXCEPT WHERE SPECIFIED OTHERWISE
3. PER DATA TAG
USE BLK WIRE FOR 60 HZ
USE RED WIRE FOR 50 HZ

1. MKII: SERIAL #W30,000-ON
1. MKV: SERIAL #W1,000-ON
MKIIGP: SERIAL #W31,300-ON
MKV: SERIAL #W1300-ON

DIAGRAM: MK-4210

USE THIS DIAGRAM FOR

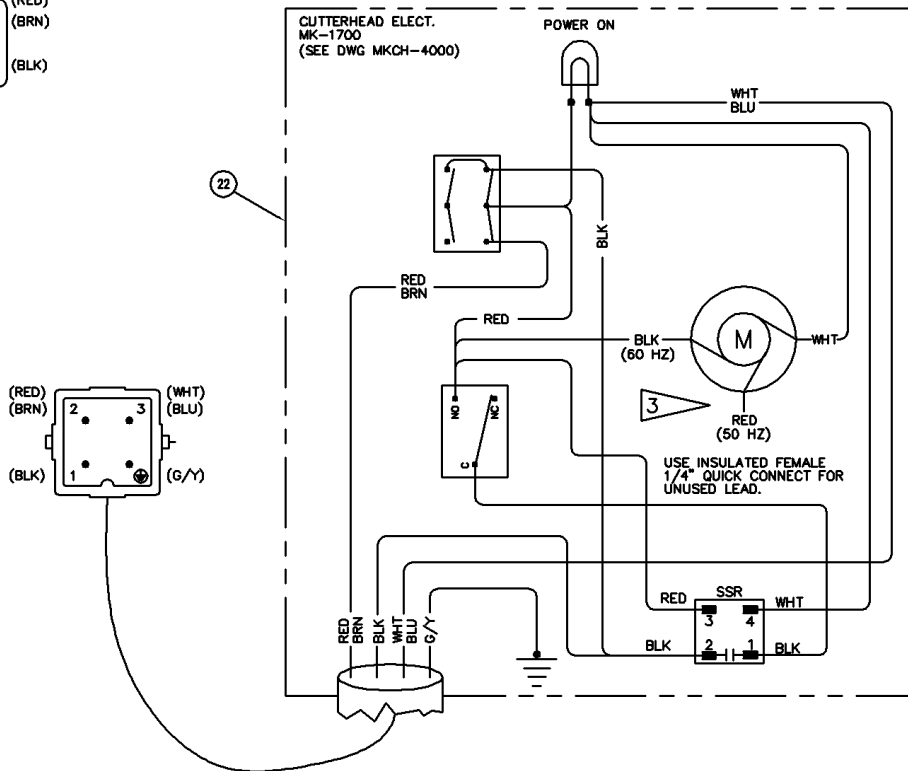
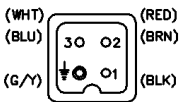
MODEL: Mark II, Mark II GP

ITEM NUMBER:

21622, 21637, 21638

TO IDENTIFY MODEL AND ITEM NUMBER, SEE DATA TAG ON CONTROL PANEL

ITEM	PART NO.	1711 MKII (QTY)	1712 MKV (QTY)	DESCRIPTION
1	DR42-0001D	1		HEATER ELEMENT 5,500 W @ 240 V.
	MKV-0004		1	HEATER ELEMENT 8,800 W @ 240 V.
2	-	-	-	RESERVED
3	MK-1720	REF	REF	CONVEYOR ELECTRICAL ASSEMBLY
4	-	-	-	RESERVED
5	-	-	-	RESERVED
6	MK-0054	1	1	TIMER, DIN RAIL MOUNT
7	TDR-0013	1	1	TIME DELAY RELAY, 40 SEC BUZZER
8	634-0383	1	1	TERMINAL BLOCK
9	CTR-0002	2	2	CONTACTOR, 120V, 40A, 2 POLE
10	-	-	-	RESERVED
11	FM200-0065M	1	1	HI TEMP LIMIT CONTROL
12	PLT-0002	3	3	PILOT LIGHT, 125 V
13	DR42-0612	1		POWER CORD ASSEMBLY
	MKV-0514		1	POWER CORD ASSEMBLY
14	SKT-0700	1	1	SOCKET ASSEMBLY
15	MK-0790	1	1	POTENTIOMETER ASSEMBLY, 1.5 MEG, 20K
16	TM200-0120	1	1	SWITCH, SPDT
17	DR42-0050	1	1	SWITCH, SPST
18	MK-0284	1	1	THERMOSTAT
19	SKT-0003	1	1	OUTLET
20	CBR-0001A	1	1	CIRCUIT BREAKER, 5 AMP, PRIMARY
21	-	-	-	RESERVED
22	MK-1700	REF	REF	CUTTER HEAD ELECTRICAL ASSEMBLY, DOM
23	-	-	-	RESERVED
24	TDR-0014	1	1	TIME DELAY RELAY, .1-10 SEC
25	MK-0066	1	1	TRANSIENT VOLTAGE SUPPRESSOR



CUTTERHEAD
(DEPOSITOR)

BELSHAW BROS., INC.			
SEATTLE, WASHINGTON			
W/D - MKII/MKV			
TITLE: 208-240VAC, 50/60HZ, 1PH			
DOMESTIC			
DRAWN: CC	SERIAL NO.: 1	DRAWING NO.: MK-4210	SHT 1 OF 1
APP'D.: EFM	DATE: 11/2/99		

DIAGRAM: MKCD-4000

USE THIS DIAGRAM FOR

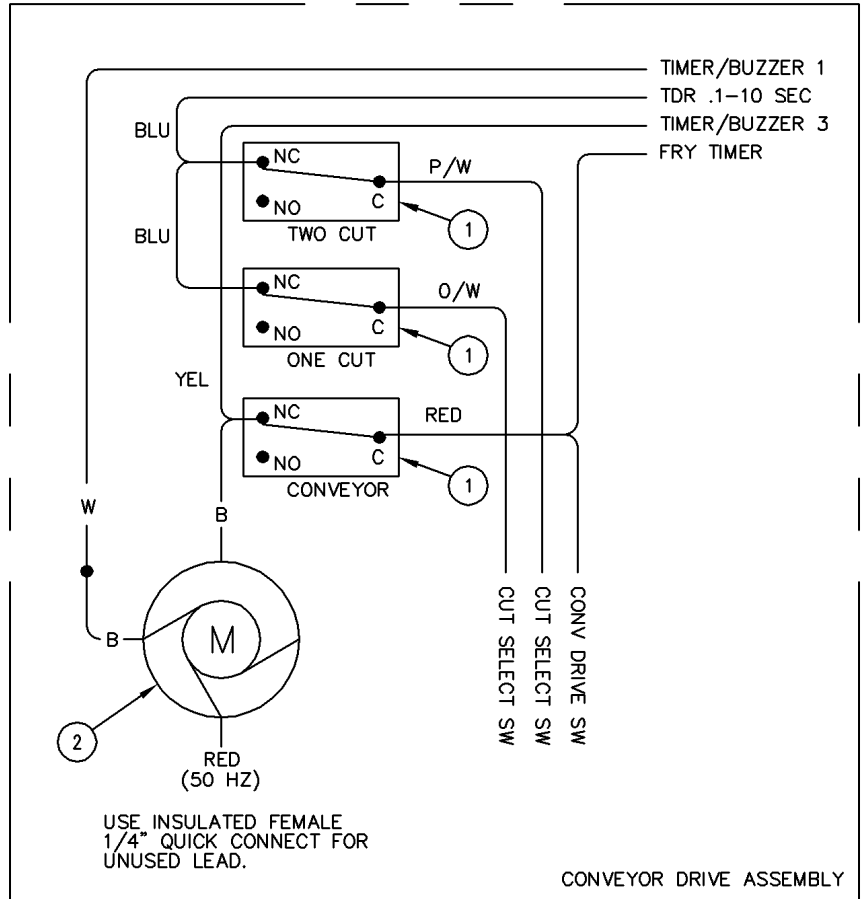
MODEL: Mark II, Mark II GP

ITEM NUMBER:

21622, 21637, 21638

TO IDENTIFY MODEL AND ITEM NUMBER,
SEE DATA TAG ON CONTROL PANEL

CONVEYOR DRIVE



NOTES:

1. USE 18 GA. 105°C MACHINE WIRE
2. FOR MOTOR UPGRADE ONLY, SEE SK-1236

BOM - MK-1720, -1721, -1722, -1723						
ITEM	PART NO.	FWD		REV		DESCRIPTION
		1720	1721	1722	1723	
		STD (QTY)	FP (QTY)	STD (QTY)	FP (QTY)	
1	DR42-0048	3	2	3	2	MICROSWITCH
2	MKDW-0009	1	1			GEAR MOTOR, FORWARD
	MKVID-0046			1	1	GEAR MOTOR, REVERSE

BELSHAW BROS., INC. SEATTLE, WASHINGTON			
W/D - CONVEYOR DRIVE FOR ALL MARK SYSTEMS			
TITLE:			
DRAWN:	DAK	SERIAL NO.	
APP'D.:	DAK	DATE:	5/23/03
		DRAWING NO.:	MKCD-4000
			SHEET 1 OF 1

DIAGRAM: MKCH-4000

USE THIS DIAGRAM FOR

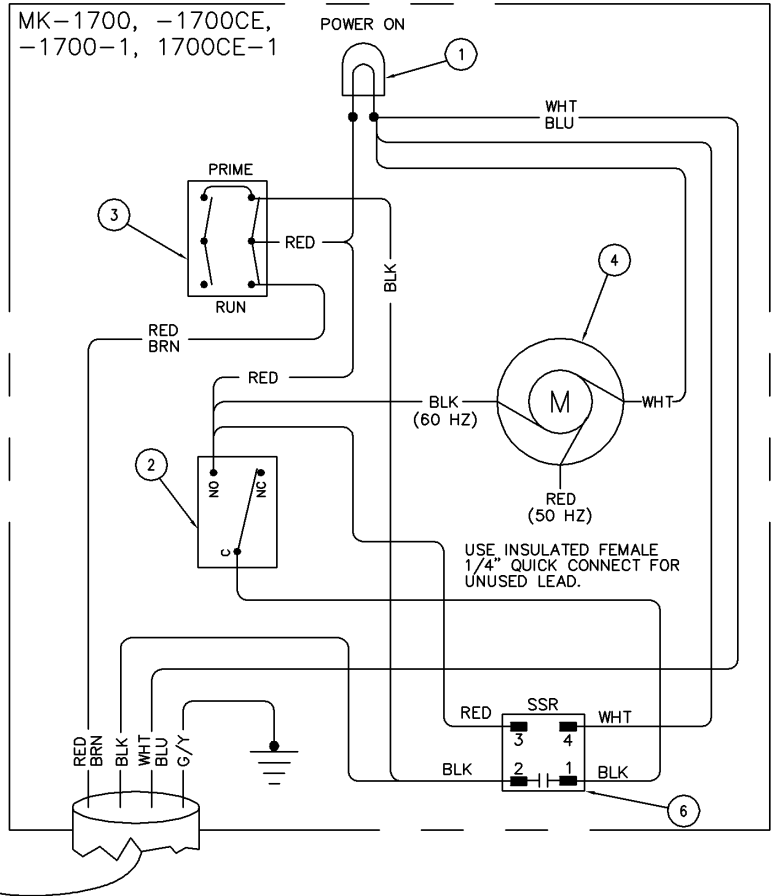
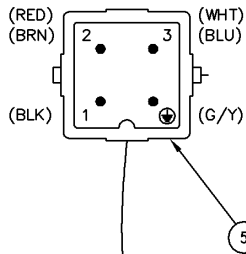
MODEL: Mark II, Mark II GP

ITEM NUMBER:

21622, 21637, 21638

TO IDENTIFY MODEL AND ITEM NUMBER, SEE DATA TAG ON CONTROL PANEL

CUTTERHEAD (DEPOSITOR)



BOM - MK-1700, -1700CE, -1700-1, 1700CE-1, -1700DMM

ITEM	PART NO.	MKI	MKII & MKV		MKIIG		DESCRIPTION
		1700DMM	1700	1700CE	1700-1	1700CE-1	
		DOM/EXP/CE (QTY)	DOM (QTY)	EXP/CE (QTY)	DOM (QTY)	EXP/CE (QTY)	
1	PLT-0002	1	1	1	1	1	PILOT LIGHT, 125V, WHITE
2	DR42-0048	1	1	1	1	1	MICROSWITCH
3	MKV-0010	1	1	1	1	1	TOGGLE SWITCH DPDT 15A 125V
4	MTR-0010		1	1	1	1	BRAKE MOTOR, 115V, 50/60HZ, 50 RPM
	MTR-0009	1					BRAKE MOTOR 21/26 RPM 115V
5	PLG-0500-4		1				SIGNAL CORD ASSEMBLY DOM/CE 54
	PLG-0500-4	1		1			SIGNAL CORD ASSEMBLY
	PLG-0500-5				1		SIGNAL CORD ASSEMBLY DOM/CE 84
	PLG-0500-5					1	SIGNAL CORD ASSEMBLY
6	RLY-0020		1	1	1	1	SOLID STATE RELAY
7	TDR-0018	1					RELAY ON DELAY .1-10S 120V

BELSHAW BROS., INC.

SEATTLE, WASHINGTON

TITLE: W/D - CUTTER HEAD
FOR ALL MARK SYSTEMS EXCEPT MKIX
DOM/EXP/CE

DRAWN: DAK	SERIAL NO. 3	DRAWING NO.: MKCH-4000
APP'D.: DAK	DATE: 2/26/03	

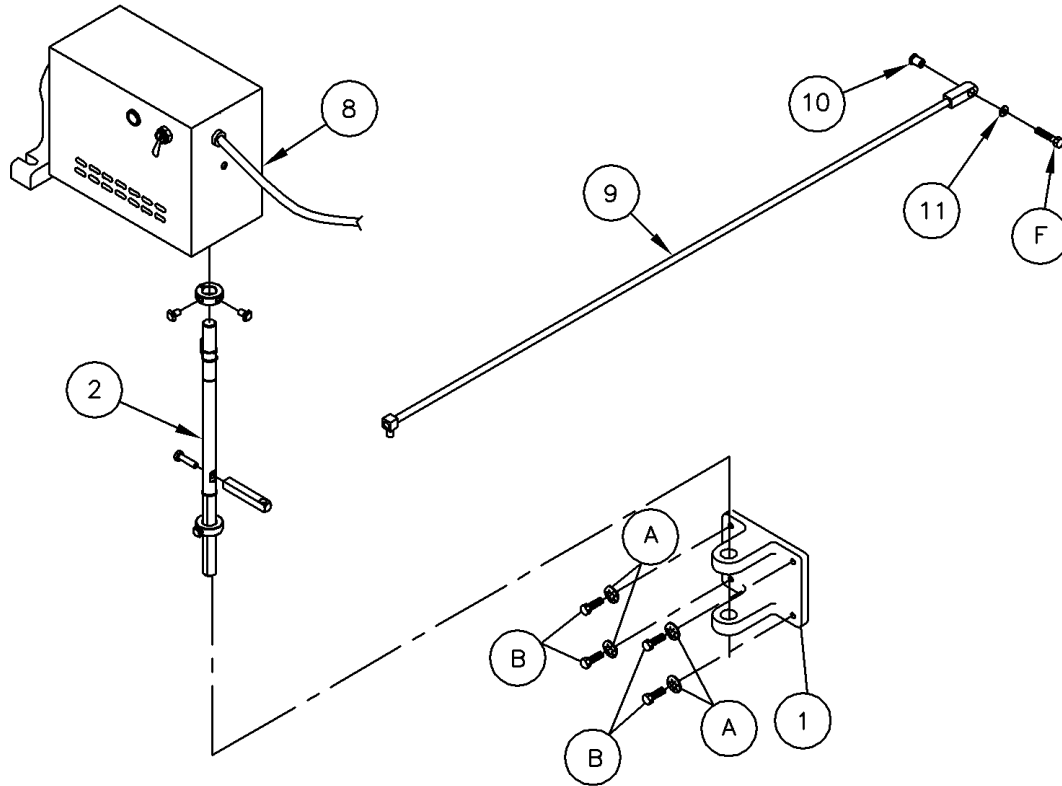


DIAGRAM: MK-1203

USE THIS DIAGRAM FOR

MODEL: Mark II, Mark II GP

ITEM NUMBER:

21622, 21637, 21638

TO IDENTIFY MODEL AND ITEM NUMBER, SEE DATA TAG ON CONTROL PANEL

BILL OF MATERIAL

NO.	QTY.	PART NO.	DESCRIPTION
1	1	MK-0047	COLUMN MOUNTING BRACKET
	1	MKIIG-0121	COLUMN MOUNTING BRACKET; GP
2	1	MK-0522	SWING COLUMN ASSY
3			
4			
5			
6			
7			
8	1	MK-1044A	ASSY; CUTTER HEAD; DOMESTIC
	1	MK-1044B	ASSY; CUTTER HEAD; EXPORT/CE
9	1	DR42-0511	ASSY; SWING CONNECTING ROD (MKII, MKIV)
	1	MKV-0500	ASSY; SWING CONNECTING ROD (MKV, MKVI, MKVID)
10	1	DR42-0240	FLANGE BUSHING
11	1	U-0008	DIAL SCREW COLLAR
FASTENERS			
A	4	1/4 INTERNAL TOOTH LOCK WASHER	
B	4	1/4-20 X 7/8 SOCKET HEAD MACHINE SCREW	
C			
D	1	5/16-18 X 1 1/4 HEX HEAD MACHINE SCREW	
E			
F	1	1/4-20 X 1 1/4 HEX HEAD MACHINE SCREW (903-1007)	

BELSHAW BROS., INC. SEATTLE, WASHINGTON

THE INFORMATION CONTAINED IN THIS DRAWING IS THE SOLE PROPERTY OF BELSHAW BROS., INC. ANY REPRODUCTION IN PART OR WHOLE WITHOUT THE WRITTEN PERMISSION OF BELSHAW BROS., INC. IS PROHIBITED.

ASSY; CUTTER HEAD w/MOUNT (TAB)

TITLE:

SEE B.O.M.

MATERIAL:

1:12 SCALE	BLW DRAWN	1/31/02 DATE	LCP APP'D	MFG	MK-1203 DRAWING NO.	7 REV
---------------	--------------	-----------------	--------------	-----	------------------------	----------



Belshaw[®]

www.belshaw.com

BELSHAW ADAMATIC BAKERY GROUP
814 44th Street NW, Suite 103
Auburn, WA 98001 USA

1-800-BELSHAW
1-800-578-2547 (USA/Canada)
(+1) 206-322-5474 (Worldwide)

service@belshaw.com

an Ali Group Company



The Spirit of Excellence